

- Introduction6-1
- EntelliGuard® G Low Voltage Power Circuit Breakers.....6-2
- WavePro Circuit Breakers with Power+,
Enhanced MicroVersaTrip® Plus and
MicroVersaTrip® PM Trip Unit Systems6-3
- WavePro Low Voltage Power Circuit Breakers6-4
- OEM Substructures and Substructure Accessories6-17
- Trip Unit Conversion Kits Introduction.....6-24
- ProTrip™™ Conversion Kits for
 - GE Power Circuit Breakers.....6-26
 - I-T-E Power Circuit Breakers.....6-27
 - Allis-Chalmers Power Circuit Breakers6-28
 - Westinghouse Power Circuit Breakers6-29
 - ProTrip™™ Rating Plugs6-30
- MicroVersaTrip® Plus and MicroVersaTrip® PM Unit
Conversion Kits for
 - GE Power Circuit Breakers.....6-31
 - I-T-E Power Circuit Breakers.....6-33
 - Westinghouse Power Circuit Breakers6-35
 - Allis-Chalmers Power Circuit Breakers6-37
- Asbestos Free Arc Quencher Replacement Kits6-41
- Electrically Operated Racking Device6-42
- Gerapid High Speed DC Circuit Breakers.....6-44
 - Features and Benefits6-44
 - Technical Data6-46
 - Outline Drawings and Dimensions.....6-48
- Reference Publications6-49

Visit GE Consumer and Industrial website for ordering low voltage power circuit breakers and accessories at:

www.geindustrial.com/industrialsystems/wizards/peb_oem_am/home.htm

GE WavePro Power Circuit Breakers

WavePro circuit breakers are the newest generation of GE low voltage power circuit breakers. WavePro builds on the experience of the AKR breaker line to bring new convenience and safety features while retaining the robustness of GE's long-standing power circuit breaker products. WavePro breakers are ANSI designed and carry the UL label. They are designed to withstand short circuit stresses equal to their short time interrupting ratings. This means that maximum selectivity with downstream devices can be attained because instantaneous trips are not required to achieve the breaker's short circuit rating. This attests to the ruggedness of the WavePro design and places it ahead of insulated case breakers and other maker's power circuit breakers in many critical applications. WavePro breakers can be applied on power systems from 208 to 600 volts and have current ratings of 800 through 5000 amperes. Short circuit interrupting ratings for WavePro breakers range from 30kA to 200kA rms symmetrical.

Three Choices of Advanced, Solid-State Trip Units

For basic functionality, the Power+ trip unit gives you straightforward means of providing overload and short circuit protection on a WavePro circuit breaker. Tripping characteristics are easily adjusted by simple-to-use rotary switches. The trip unit is upgradeable to ground fault by simply inserting a ground fault rating plug. An optional target module allows for target monitoring and also functions as a trip unit health indicator. Enhanced MicroVersaTrip® Plus and MicroVersa PM trip units give you two ways to monitor and control the WavePro breaker with unprecedented ease. A simple keypad lets you program and display a variety of functions including tripping characteristics, remote communications, status information and protective relaying, and allows integration with GE POWER LEADER® Power Management Systems. The trip unit display also allows viewing of many standard metering parameters as well as pickup alarms, trip target indications and fault status information.

For more information on these products, order publications listed in Section 22.

AKR BREAKERS AND SUBSTRUCTURES ARE AVAILABLE FOR SPECIAL APPLICATIONS. CONTACT YOUR LOCAL GE SALES REPRESENTATIVE OR BURLINGTON CUSTOMER SERVICE FOR PRICE AND LEAD-TIME.



Publications and Reference: See Section 22 for a complete list of additional product-related publications

Low Voltage Power and DC Circuit Breakers

EntelliGuard® G Low Voltage Power Circuit Breaker

Section 6

From 400 to 6400A, EntelliGuard® G low voltage power circuit breakers are designed to meet the stringent demands required in today's electrical distribution systems without compromising safety, reliability or system performance.

EntelliGuard® G will be available June 2008. Consult your local GE Field Sales Office for technical information and pricing.



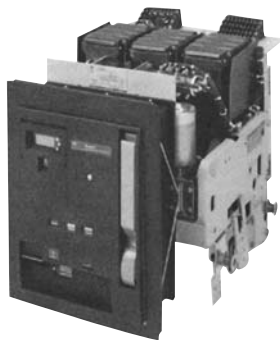
Low Voltage Power and DC Circuit Breakers Section 6

WavePro Circuit Breakers with Power+, Enhanced MicroVersaTrip® Plus and MicroVersaTrip® PM Trip Unit Systems



There are three trip unit systems available for WavePro Low Voltage Power Circuit Breakers — Power+, and Enhanced MicroVersaTrip® Plus and MicroVersaTrip® PM. All three systems consist of the trip unit, the trip actuator, current sensors and rating plugs. The term “trip unit systems” applies to the combination of these four components, which form the circuit breaker solid-state tripping system.

The Power+ trip unit is the latest addition to the list of trip units available on GE low voltage power circuit breakers. It continues to use GE’s proven technique of measuring true rms currents of both sinusoidal and harmonically distorted waveforms. The frequent sampling (48 times per cycle per phase) allows precise calculations of true rms current. The sampling rate allows waveform measurements up to the 11th harmonic. True rms sensing avoids potential under- or over-protection problems associated with peak-sensing tripping systems.



Enhanced MicroVersaTrip® Plus and MicroVersaTrip® PM trip units also measure true rms currents (and voltages for MicroVersaTrip® PM trip units). The higher sampling rate (64 times per cycle) allows waveform measurements up to the 31st harmonic to achieve accuracy of 99%.

MicroVersaTrip® Plus and MicroVersaTrip® PM trip units contain a digital liquid crystal

display with a five-button keypad for local setup and readout of trip settings. The trip units have a lithium battery for cold setup capability and viewing of targets without external power. The LCD and keypad also provide a three-phase ammeter and trip indicators.

The Enhanced MicroVersaTrip® (MVT) PM trip unit adds power management system capability, including advanced metering and protective relaying, to the basic functions of the MVT Plus. The MVT PM can be interfaced with either Modbus RTU or Ethernet TCP/IP compatible systems.

All trip units utilize a series of interchangeable rating plugs to establish the current rating of the breaker.

Standard functions:

—Rating plug with test port

Protection

—Long-time, Instantaneous (Instantaneous may be omitted when short-time is provided)

The Power+ trip unit is identified by its plug-in modules and rotary switches. The optional “target module” provides LED targets for overload, short circuit and ground fault trips. View and Reset push buttons are also provided to monitor status, including a battery check LED. Standard 3-volt lithium batteries, in the target module, power the indicating LEDs (batteries are not required for trip unit operation). The “rating plug module” serves the dual purpose of establishing the trip rating for the circuit breaker as well as providing ground fault protection when required. All pickup and delay settings are selected with detented rotary switches.

Standard functions:

—Rating plug with test port

Protection

—Long-time, Instantaneous (Instantaneous may be omitted when short-time is provided)

Optional functions:

Protection

—Short-time protection, with selectable I^2t
 —Ground fault protection, with selectable I^2t
 —Defeatable ground fault (not UL)

Target Module

—View and Reset buttons
 —Battery check LED
 —Longtime pickup/trip unit “health” LED
 —LEDs for overload, short circuit, ground fault trips

Status

—Trip target (trip type)
 —Trip information (magnitude and phase)
 —Trip operations counters

Metering display

—Phase current (selectable among phases)

Optional Functions:

—Short-time protection, with selectable I^2t
 —Ground fault protection, with selectable I^2t
 —Defeatable ground fault (not UL)
 —Switchable instantaneous/short-time and ground fault (not UL).
 —Zone-selective interlock, for ground fault only or for both ground fault and short-time protection.

Additional functions available only with MicroVersaTrip® PM trip unit:

—Communication and metering (M-option)
 —Communication, metering and protective relaying (PM-option)

Communication:

—Remote communication with POWER LEADER® Power Management Control System (PMCS) software

Metering:

—Voltage (V), Energy (kWh/MWh/GWh)
 —Real Power (kW/MW), Total Power (kVA/MVA)
 —Demand Power (kW/MW), Peak demand power (kW/MW)
 —Frequency (Hz)

Protective relaying:

—Undervoltage, Overvoltage
 —Voltage unbalance, Current unbalance, Power reversal



Publications and Reference: See Section 22 for a complete list of additional product-related publications

Low Voltage Power and DC Circuit Breakers

WavePro Low Voltage Power Circuit Breakers

Section 6

How to select and price WavePro low voltage power circuit breakers – One step at a time

This selection and pricing guide allows you to systematically arrive at the product number and list price for a WavePro OEM breaker. It also contains information you can use to specify applicable fuses, neutral current transformers and other associated devices (Tables A-1 to A-4 on pages 6-8 and 6-9 and Tables B-5 to B-12 on pages 6-21 and 6-22) and to select and order substructures and substructure accessories (Tables B-1 to B-4 on pages 6-17 to 6-21). The WavePro Breaker Application Guide (DET-167) contains additional information that will help you select options to specify for your particular application.

First, determine the appropriate WavePro breaker type from Table A-1 on page 6-8.

Using that information, follow the step-by-step instructions beginning on page 6-11 to select options and accessories. At the end of each step, transfer the resulting product number digit(s) and price component for your selection to the appropriate boxes in the Product Number Line and Price Column. **Helpful Hint:** Make a photocopy of the Product Number Line and Price Column (page 6-7) every time you follow this process so you can use the form again.

When you're done, you'll have a complete breaker product number and, after you add up the price components, a total list price. Note: To order, you must submit a complete 15-digit breaker product number. If you reach a point where no further options or accessories are required, fill in each of the remaining product numbers digits with X (indicating no option or accessory) before submitting

your order. Here's an example of the selection and pricing process based on a WavePro breaker with the following specifications: Example is on pages 6-4 through 6-6. **Breaker selection and pricing starts on page 6-11.** An alternative to developing the breaker product number and pricing manually is to generate the same information electronically via the web wizards at www.geindustrial.com/industrialsystems/wizards/peb_oem_am/home.htm

Example

Rated AC Voltage Nominal (Max.)	Breaker Type	Frame Size (amps)	Short Circuit Ratings RMS Symmetrical		
			kA		
			Short-Time Withstand	With Instantaneous Trip	Without Instantaneous Trip
480 (508)	WPS-08	800	30	30	30
	WPH-08	800	42	42	42
	WPX-08	800	65	65	65
	WPS-16	1600	50	50	50
	WPH-16	1600	65	65	65
	WPS-20	2000	65	65	65
	WPS-32	3200	65	65	65
	WPH-32	3200	85	85	85
	WPX-32	3200	100	100	100
	WPS-40	4000	85	85	85
	WPX-40	4000	100	100	100
	WPS-50	5000	85	85	85
	WPX-50	5000	100	100	100

Example

Option or Accessory	Option or Accessory
Tables A-1 to A-4 WPF-08 Breaker, 800A Frame	Step 6 240V, 50/60 Hz electric lockout
Step 1 800A Class L Fuse, 800A Sensor	Step 7 4-stage aux switch
Step 2 MVT PM Trip Unit with LSIG functions	Step 8 Bell alarm with lockout
Step 3 700A Trip Unit Rating Plug	Step 9 24V dc shunt trip (second shunt trip)
Step 4 120V ac 60Hz Electrical Charge & Close Operation	Step 10 Hidden close push button and remote charge indicator (Note: "A" disconnect comes standard with the options selected here.)
Step 5 120V ac shunt trip, 60 Hz	

NOTE: Example digits and price shown in red type.

Product Number Line – WavePro Breaker (Example)

WavePro Breaker for Substructures	Step 1	Step 2	Step 3	Step 4	Step 5	Step 6	Step 7	Step 8	Step 9	Step 10	Future use but "X" required
W S	G D	C Q	E	F	1	5	A	B	B	E	X

Price Column	List Price GO-128W
Step 1	\$12790.00
Step 2	\$6500.00
Step 3	\$0.00
Step 4	\$2150.00
Step 5	\$350.00
Step 6	\$595.00
Step 7	\$450.00
Step 8	\$635.00
Step 9	\$635.00
Step 10	\$500.00
Breaker Item List Price, GO-128W	\$24605.00
Item Number	1
Quantity	1

Step 1 Select Interrupting Type and Current Sensor (Example)

Breaker Type	Interrupting Type & Rating	Current Sensor						
		No Sensor ¹	List Price GO-128W	150A	400A	800A	List Price GO-128W	
WPS-08	Standard	—	1A	\$5380.00	1B	1C	1D	\$5980.00
WPH-08	High	—	2A	\$7320.00	2B	2C	2D	\$7920.00
WPX-08	Extended	—	3A	\$10220.00	3B	3C	3D	\$10820.00
WPF-08	Class J Fuse	300A Fuse	—	—	AB	AC	AD	\$12790.00
		350A Fuse	—	—	BB	BC	BD	\$12790.00
		400A Fuse	—	—	CB	CC	CD	\$12790.00
		450A Fuse	—	—	DB	DC	DD	\$12790.00
		500A Fuse	—	—	EB	EC	ED	\$12790.00
		600A Fuse	—	—	FB	FC	FD	\$12790.00
	Class L Fuse	800A Fuse	—	—	GB	GC	GD	\$12790.00
		1000A Fuse	—	—	HB	HC	HD	\$12790.00
		1200A Fuse	—	—	JB	JC	JD	\$12790.00
		1600A Fuse	—	—	KB	KC	KD	\$12790.00

GO TO STEP 2 ON PAGE 6-5



Low Voltage Power and DC Circuit Breakers

WavePro Low Voltage Power Circuit Breakers

Section 6

Step 2 Select Trip Unit (Example)

Function Code	Functions								MicroVersaTrip® Plus		MicroVersaTrip® M		MicroVersaTrip® PM		EntelliGuard® Trip Unit	
	Long Time	Short Time	Instantaneous	Ground Fault ¹	Defeatable Ground Fault ¹	Switchable S T or Inst & GF ¹	ZSI-G F	ZSI-GF & ST	Product No. Digits	List Price GO-128W	Product No. Digits	List Price GO-128W	Product No. Digits	List Price GO-128W	Product No. Digits	List Price GO-128W
LI	•		•						AJ	\$1250.00	BJ	\$2600.00	CJ	\$3500.00	GA	*
LIG	•		•	•					AK	\$3500.00	BK	\$4850.00	CK	\$5750.00	GB	*
LIGZ1	•		•	•			•		AL	\$3915.00	BL	\$5265.00	CL	\$6165.00	GC	*
LIGD ²	•		•	•	•				AM	\$4000.00	BM	\$5350.00	CM	\$6250.00	GD	*
LIGDZ1 ²	•		•	•	•		•		AN	\$4500.00	BN	\$5850.00	CN	\$6750.00	GE	*
LS	•	•							AA	\$2000.00	BA	\$3350.00	CA	\$4250.00	GF	*
LS G	•	•		•					AB	\$4250.00	BF	\$5600.00	CC	\$6500.00	GH	*
LSGZ1	•	•		•			•		AA	\$2000.00	BA	\$3350.00	CA	\$4250.00	GK	*
LSGZ2	•	•		•				•	AD	\$5080.00	BD	\$6430.00	CD	\$7330.00	GL	*
LSGD ²	•	•		•	•				AE	\$4750.00	BE	\$6100.00	CE	\$7000.00	GM	*
LSGDZ1 ²	•	•		•	•		•		AF	\$5165.00	BF	\$6515.00	CF	\$7415.00	GN	*
LSGDZ2 ²	•	•		•	•			•	AG	\$5580.00	BG	\$6930.00	CG	\$7830.00	GP	*
LSI	•	•	•						AP	\$2000.00	BP	\$3350.00	CP	\$4250.00	GQ	*
LSIG	•	•	•	•					AQ	\$4250.00	BQ	\$5600.00	CQ	\$6500.00	GR	*
LSIGX	•	•	•	•		•			AR	\$4920.00	BR	\$6270.00	CR	\$7170.00	GS	*
LSIGZ1	•	•	•	•			•		AS	\$4665.00	BS	\$6015.00	CS	\$6915.00	GT	*

*EntelliGuard® Trip Units will be available for WavePro circuit breakers after June 2008. Consult your local GE Field Sales Office for technical information and pricing.

Step 3 Select Trip Unit Rating Plug By Current Sensor (Example)

Example only - ordering information starts on page 6-11.

Rating Plug	Product No. Digit	Availability by Current Sensor Rating (shaded areas indicate availability)							
		150	400	800	1600	2000	3200	4000	5000
None	X								
60	1	1							
80	2								
100	3								
125	4								
150	5		1						
200	6								
225	7								
250	8								
300	9			1					
400	A								
450	B			1					
500	C								
600	D				1				
700	E								
750	F					1			
800	G					1			
1000	H								
1100	J				1				
1200	K								
1500	L					1			
1600	M								
2000	N								
2400	P								
2500	Q								
3000	R								
3200	S								1
3600	T							1	
4000	V								1
5000	W								1



Publications and Reference: See Section 22 for a complete list of additional product-related publications

Step 4 Select Charge and Close Operators (Example)

Voltage	Manual		Manual Charge, Remote Close		Electrical Charge & Close	
	Product Number Digit	List Price GO-128W	Product Number Digit	List Price GO-128W	Product Number Digit	List Price GO-128W
Manual	X	\$0.00	—	—	—	—
120V, 60 Hz	—	—	1	\$547.00	F	\$2150.00
120V, 50 Hz	—	—	4	\$547.00	H	\$2150.00
120V, 50/60 Hz-48Vdc	—	—	—	—	N	\$2150.00
240V, 60 Hz	—	—	3	\$547.00	T	\$2150.00
240V, 50 Hz	—	—	6	\$547.00	W	\$2150.00
48Vdc	—	—	A	\$547.00	E	\$2150.00
110Vdc	—	—	B	\$547.00	P	\$2150.00
125Vdc	—	—	C	\$547.00	Q	\$2150.00

Step 5 Select Shunt Trip (Example)

Voltage	Product Number Digit	List Price GO-128W
None	X	\$0.00
120V, 60 Hz	1	\$350.00
208V, 60 Hz	2	\$350.00
240V, 60 Hz	3	\$350.00
70V, 60 Hz	4	\$350.00
120V, 50 Hz	5	\$350.00
208V, 50 Hz	6	\$350.00

Step 6 Select Undervoltage Trip OR Electric Lockout (Example)

Voltage	Undervoltage (Instantaneous)		Undervoltage with Time Delay		Electric Lockout	
	Product Number Digit	List Price GO-128W	Product Number Digit	List Price GO-128W	Product Number Digit	List Price GO-128W
None	X	\$0.00	X	\$0.00	X	\$0.00
120V, 50/60 Hz	1	\$565.00	—	—	4	\$595.00
208V, 50/60 Hz	—	—	3	\$565.00	—	—
240V, 50/60 Hz	2	\$565.00	3	\$565.00	5	\$595.00
24Vdc	A	\$565.00	—	—	G	\$595.00
48Vdc	B	\$565.00	—	—	H	\$595.00
110Vdc	C	\$565.00	—	—	J	\$595.00
125Vdc	C	\$565.00	E	\$565.00	J	\$595.00

Step 7 Select Auxiliary Switch (Example)

Auxiliary Switch	Product Number Digit	List Price GO-128W
None	X	\$0.00
4-stage Auxiliary Switch	A	\$450.00

Step 8 Select Bell Alarm (Example)

Bell Alarm	Product Number Digit	List Price GO-128W
None	X	\$0.00
Bell Alarm	A	\$635.00
Bell Alarm with Lockout	B	\$635.00

Step 9 Select Second Shunt Trip (Example)

(not available with WPS-50 5000A breakers)

Voltage	Product Number Digit	List Price GO-128W
None	X	\$0.00
120V, 60Hz	1	\$635.00
240V, 60Hz	3	\$635.00
24Vdc	B	\$635.00
110/125Vdc	E	\$635.00

Step 10 Select Additional Options (Example)

A-Disconnect "PM Ready"	Hidden Close Push Button	Operation Counter	Remote Charge Indicator	Product No. Digit	List Price GO-128W
				X (none)	\$0.00
			•	A	\$375.00
		•		B	\$375.00
		•	•	C	\$750.00
	•			D	\$725.00
	•		•	E	\$500.00
	•	•		F	\$500.00
	•	•	•	G	\$875.00
•				H	\$250.00
•			•	J	\$625.00
•		•		K	\$625.00
•		•	•	L	\$1000.00
•	•			M	\$375.00
•	•		•	N	\$750.00
•	•	•		P	\$750.00

Example only - ordering information starts on page 6-11.



Ordering Worksheet

The step-by-step process below allows you to systematically arrive at the product number and list price for your WavePro OEM breaker. As a result, you will get exactly what you need. In addition, this system reduces the cycle time, precisely specifies your requirements, allows tracking during production and ensures accurate invoicing. The final product number will appear on the breaker nameplate, so you can identify all components built into the original breaker and compare breakers within a facility for proper application.

Follow the instructions at each step and transfer the product number digit and price for each selection to the appropriate boxes in the Product Number Line and Price Column below. Note: You must submit a complete 15-digit product number when ordering. If you reach a point where no further options or accessories are desired, fill in the remaining product number digits with "X" (for none).

For options not listed, contact your GE Sales Engineer or GE Switchgear Marketing for assistance.

Product Number Line—WavePro Breaker

WavePro Breaker for Substructures		Step 1		Step 2		Step 3		Step 4		Step 5		Step 6		Step 7		Step 8		Step 9		Step 10		Future use, but "X" required
W	S																					X

Date _____

Name _____

Title _____

Company _____

Address _____

City _____

State _____

Zip _____

Telephone _____

Fax _____

Price Column	List Price GO-128W
Step 1	\$
Step 2	\$
Step 3	\$0.00
Step 4	\$
Step 5	\$
Step 6	\$
Step 7	\$
Step 8	\$
Step 9	\$
Step 10	\$
Breaker Item List Price, GO-128W	\$
Item Number	
Quantity	

Note: Photocopy this page for each breaker you select and submit it with your order.



Publications and Reference: See Section 22 for a complete list of additional product-related publications

Low Voltage Power and DC Circuit Breakers

WavePro Low Voltage Power Circuit Breakers

Section 6

Basic Selection Information

Table A-1.

WavePro Interrupting Ratings (50/60 Hz ac)

Rated AC Voltage, Nominal (max)	Breaker Type	Frame Size (amps)	Short-Circuit RMS Symmetrical kA		
			Short-Time Withstand	With Instantaneous Trip	Without Instantaneous Trip
600 (635)	WPS-08	800	30	30	30
	WPH-08	800	42	42	42
	WPX-08	800	50	50	50
	WPS-16	1600	42	42	42
	WPH-16	1600	65	65	65
	WPS-20	2000	65	65	65
	WPS-32	3200	65	65	65
	WPH-32	3200	85	85	85
	WPX-32	3200	85	85	85
	WPS-40	4000	85	85	85
	WPX-40	4000	85	85	85
	WPS-50	5000	85	85	85
WPX-50	5000	85	85	85	
480 (508)	WPS-08	800	30	30	30
	WPH-08	800	42	42	42
	WPX-08	800	65	65	65
	WPS-16	1600	50	50	50
	WPH-16	1600	65	65	65
	WPS-20	2000	65	65	65
	WPS-32	3200	65	65	65
	WPH-32	3200	85	85	85
	WPX-32	3200	100	100	100
	WPS-40	4000	85	85	85
	WPX-40	4000	100	100	100
	WPS-50	5000	85	85	85
WPX-50	5000	100	100	100	
240 (254)	WPS-08	800	30	42	30
	WPH-08	800	42	50	42
	WPX-08	800	50	65	50
	WPS-16	1600	50	65	50
	WPH-16	1600	65	65	65
	WPS-20	2000	65	65	65
	WPS-32	3200	65	85	65
	WPH-32	3200	85	130	85
	WPX-32	3200	100	130	100
	WPS-40	4000	85	130	85
	WPX-40	4000	100	130	100
	WPS-50	5000	85	130	85
WPX-50	5000	100	130	100	

Table A-2.

Fused Breaker Ratings. Max. 600V ac 50/60 Hz.

Frame Size (Amps)	Fuse Rating (Amps) ¹		Interrupting Rating rms Symmetrical kA	Breaker Type
	Min	Max		
800	300	1600	200	WPF-08
1600	450	2500	200	WPF-16
2000	2000	2500	200	WPS-20 ²
3200	2000	4000	200	WPS-32 ²
4000	2000	5000	200	WPS-40 ²
5000	2000	5000	200	WPS-50 ²

¹The maximum fuse rating is the largest fuse that tests show will result in proper performance of the breaker and fuse in combination under short circuit conditions.

²Fuses are mounted on separate fuse roll-out element and are ordered and shipped separately. See Table A-4 on page 6-9.



Table A-3.

Allowable Fuse Sizes for WavePro WPF and WPS breakers with separate fused rollout elements.

Note: WPS breakers with separate fuse roll-out element require the open fuse lockout (OFLO) device. Select "OFLO only" option for breakers 2000A-5000A: The "OFLO" option is standard on WPF breakers.

Breaker Type	Frame Size	Sensor Rating	Rating Plug	Ferraz-Shawmut Fuse Range (Amps) ¹															
				Class J								Class L							
				300	350	400	450	500	600	800	1000	1200	1600	2000	2500	3000	4000	5000	
WPF-08	800A	150A	Below 150A																
		150A, 400A	150A																
		400A	225A																
		400A, 800A	300A																
		400A, 800A	400A																
		800A	600A																
		800A	700A																
WPF-16 ³	1600A	800A	400A & below																
		800A	500A																
		800A, 1600A	600A																
		800A, 1600A	700A																
		800A, 1600A	800A																
		1600A	1000A																
		1600A	1200A																
WPS-20 ²	2000A	2000A	2000A & below																
WPS-32 ²	3200A	3200A	3200A & below																
WPS-40 ²	4000A	4000A	4000A & below																
WPS-50 ²	5000A	5000A	5000A & below																

¹Class L fuses less than 800A are not UL or CSA listed. Use Class J fuses for 600A and below. 800A-2000A fuses are also available as welder limiters.

²Fuses are mounted on separate fuse roll-out element and are ordered and shipped separately. See Table B-3 on pages 6-18 to 6-20.

³Integrally fused 1600A frame breakers (WPF-16) equipped with 2500A fuses can be furnished with rating plugs from 300-1600A. Breakers equipped with 2500A fuses cannot be modified to accept lower rated fuses. WPF-16 breakers equipped with 2000A and lower fuses cannot be upgraded to 2500A fuses. The maximum trip rating for a WPF-16 breaker is 1200A when furnished with other than 2500A fuses (see chart for min-max fuse rating for each rating plug value). 2500A fuses preclude the use of shutters in the breaker cubicle.

Table A-4.

Product Numbers for Replacement Fuses

Note: These product numbers are for field-installed replacement fuses. Original fuses for 800A and 1600A frame breakers are integral to the breaker and are factory installed. For larger frame breakers (2000A and greater), customers must provide and separately mount fuses.

Class J & Class L Breaker Mounted Fuses for 800A and 1600A Frames

(replace original GE-installed fuses)

Fuse Class	Fuse Rating	Product Number
J	300A	A4J300
J	400A	A4J400
J	450A	A4J450
J	500A	A4J500
J	600A	A4J600
L	800A	A4BY800
L	1000A	A4BY1000BG
L	1200A	A4BY1200BG
L	1600A	A4BY1600BG
L	2000A	A4BY2000
L (Silver)	2500A	A4BQ2500GE

Class L Fuses for Roll-out Elements on 2000A, 3200A, 4000A and 5000A Frames

(replace original customer-installed fuses)

Fuse Rating	Product Number
2000A	A4BY2000-55BA
2500A	A4BY2500-55BA
3000A	A4BY3000-55BA
4000A	A4BY4000-55BA
5000A	A4BY5000-55BA

Welder Limiters for Breaker Mounted Fuses

(replace original GE-installed fuses)

Fuse Rating	Product Number
800A	A4BX800
1600A	A4BX1600BG
2000A	A4BX2000



Publications and Reference: See Section 22 for a complete list of additional product-related publications

Low Voltage Power and DC Circuit Breakers

WavePro Low Voltage Power Circuit Breakers

Section 6

Power+, MicroVersaTrip® Plus and MicroVersaTrip® PM Trip Unit Characteristics

Frame Size	Max. Amp Rating	Sensor Rating (Amps) (CT)	Long-time		Short-time	
			Long Time (LT) (Pickup) Multiple of Rating Plug Amps (I _n)	Delay [Band] (Seconds) ¹	Pickup (Multiple of Long Time) (LT)	Delay [Band] (Seconds)
WPS-08 / WPH-08 WPX-08 / WPF-08	800	150, 400, 800	Power+ 0.5 thru 1.1 in steps of 0.1	[1] [2] [3] [4] 2.4, 4.9, 9.8, 20	Power+ 1.5, 2.0, 2.5, 3.0, 4.0 5.0, 7.0, 9.0	I ² t in 0.40
WPS-16 / WPH-16 WPF-16	1600	800, 1600				
WPS-20	2000	2000				
WPS-32 / WPH-32 / WPX-32	3200	3200				
WPS-40 / WPX-40	4000	4000	MVT Plus/PM 0.5 thru 1.1 in steps of 0.05		MVT Plus/PM 1.5 thru 9.0 in steps of 0.5	I ² t out ² [1] [2] [3] .10, .21, .35
WPS-50 / WPX-50 ⁴	5000	5000				

Frame Size	Adjustable Instantaneous Pickup without ST (Multiple of Rating Plug Amps) (I _n)	Adjustable Instantaneous Pickup with ST (Multiple of Rating Plug Amps) (I _n)	Ground Fault		
			Pickup (Multiple of Sensor Amp rating) (CT)	Delay with I ² t (Seconds)	Delay without I ² t [Band] (Seconds) ³
WPS-08 WPH-08 WPX-08 WPF-08 WPS-16 / WPH-16 WPF-16 WPS-20	Power+ 1.5, 2.0, 3.0, 5.0, 7.0, 9.0, 10.0	Power+ 1.5, 2.0, 3.0, 5.0, 7.0 9.0, 10.0, 13.0, 15.0	Power+ .20, .25, .30, .35, .40, .45, .50, .60,	.44 at 200% of pick up at lower limit of band	[1] [2] [3] .10, .21, .35
WPS-32 / WPH-32 / WPX-32		MVT Plus/PM 1.5 thru 15.0 in steps of 0.5	MVT Plus/PM 0.20 thru 0.60 in steps of 0.01		
WPS-40 / WPX-40	MVT Plus/PM 1.5 thru 10.0 in steps of 0.5	Power+ 1.5, 2.0, 3.0, 5.0, 7.0 9.0, 10.0, 13.0	Power+ .20, .22, .24, .26, .28, .30, .34, .37,		
	Power+ 1.5, 2.0, 3.0, 5.0, 7.0, 9.0	MVT Plus/PM 1.5 thru 9.0 in steps of 0.5	MVT Plus/PM 0.20 thru 0.37 in steps of 0.01		
WPS-50 / WPX-50 ⁴	MVT Plus/PM 1.5 thru 7.0 in steps of 0.5	Power+ 1.5, 2.0, 3.0, 5.0, 7.0, 9.0	Power+ .20, .22, .24, .26, .28, .30		
		MVT Plus/PM 1.5 thru 9.0 in steps of 0.5	MVT Plus/PM 0.20 thru 0.30 in steps of 0.01		
		MVT Plus/PM 1.5 thru 7.0 in steps of 0.5	MVT Plus/PM 0.20 thru 0.24 in steps of 0.01		

¹Time delay shown at 600% of current setting at lower limit of band.

²Time delay shown at lower limit of each band. All pickup tolerances are ±10%.

³Time delay shown at lower limit of band. Ground-fault pickup not to exceed 1200 amps.

⁴Power+ not available on 5000 amp (WPS/WPX-50) circuit breaker.

(X)I_n = Rating plug amps

(S) CT = Sensor amp rating

(C) LT = Long-time current setting

ST = Short Time function



Selection and Pricing

Before beginning the selection and pricing process, first determine the appropriate WavePro breaker type from Table A-1 on page 6-8. You will need this information to proceed.



Step 1 Select Interrupting Type And Current Sensor

For WPF breaker types, see Table A-3 on page 6-9 for allowable combinations of fuse size, current sensor and rating plugs. From the table below that corresponds to your frame size, select the interrupting type and current sensor for your breaker type. Transfer the product number digits to the box marked **Step 1** in the Product Number Line and the price to the box marked **Step 1** in the Price Column on the Ordering Worksheet (page 6-7). Note: Power fuses and open fuse lockout (OFLO) devices are included in the pricing for WPF type 800 and 1600 amp fused breakers.

800 Amp Frame

Breaker Type	Interrupting Type & Rating		Current Sensor					List Price GO-128W
			No Sensor ¹	150A	400A	800A	List Price GO-128W	
WPS-08	Standard	—	1A	\$5380.00	1B	1C	1D	\$5980.00
WPH-08	High	—	2A	\$7320.00	2B	2C	2D	\$7920.00
WPX-08	Extended	—	3A	\$10220.00	3B	3C	3D	\$10820.00
WPF-08	Class J Fuse	300A Fuse	—	—	AB	AC	AD	\$12790.00
		350A Fuse	—	—	BB	BC	BD	\$12790.00
		400A Fuse	—	—	CB	CC	CD	\$12790.00
		450A Fuse	—	—	DB	DC	DD	\$12790.00
		500A Fuse	—	—	EB	EC	ED	\$12790.00
	Class L Fuse	600A Fuse	—	—	FB	FC	FD	\$12790.00
		800A Fuse	—	—	GB	GC	GD	\$12790.00
		1000A Fuse	—	—	HB	HC	HD	\$12790.00
		1200A Fuse	—	—	JB	JC	JD	\$12790.00
	Welder Limiter	1600A Fuse	—	—	KB	KC	KD	\$12790.00
		800A Fuse	—	—	—	—	ND	\$12790.00
						QD	\$12790.00	

¹ Draw-out breaker only, non-automatic.

1600 Amp Frame

Breaker Type	Interrupting Type & Rating		Current Sensor				List Price GO-128W
			No Sensor ¹	800A	1600A	List Price GO-128W	
WPS-16	Standard	—	1E	\$11730.00	1F	1G	\$12330.00
WPH-16	High	—	2E	\$13960.00	2F	2G	\$14560.00
WPF-16	Class J Fuse	450A Fuse	—	—	DF	—	\$19040.00
		500A Fuse	—	—	EF	—	\$19040.00
		600A Fuse	—	—	FF	FG	\$19040.00
	Class L Fuse	800A Fuse	—	—	GF	GG	\$19040.00
		1000A Fuse	—	—	HF	HG	\$19040.00
		1200A Fuse	—	—	JF	JG	\$19040.00
		1600A Fuse	—	—	KF	KG	\$19040.00
		2000A Fuse	—	—	LF	LG	\$19040.00
	Welder Limiter	2500A Fuse	—	—	MF	MG	\$19040.00
		800A Fuse	—	—	NF	NG	\$19040.00
		1600A Fuse	—	—	QF	QG	\$19040.00
2000A Fuse		—	—	RF	RG	\$19040.00	

¹ Draw-out breaker only, non-automatic.



Publications and Reference: See Section 22 for a complete list of additional product-related publications

Low Voltage Power and DC Circuit Breakers

WavePro Low Voltage Power Circuit Breakers

Section 6

Selection and Pricing (cont.)

Step 1 (Cont.)

2000 Amp Frame

Breaker Type	Interrupting Type	No Sensor ¹	List Price GO-128W	2000A Sensor	List Price GO-128W
WPS-20	Standard	1H	\$19190.00	1J	\$19790.00
	OFLO only ²	—	—	4J	\$20765.00

3200 Amp Frame

Breaker Type	Interrupting Type	No Sensor ¹	List Price GO-128W	3200A Sensor	List Price GO-128W
WPS-32	Standard	1K	\$25100.00	1L	\$25700.00
	OFLO only ²	—	—	4L	\$26675.00
WPH-32	High	2K	\$28550.00	2L	\$29150.00
WPX-32	Extended	3K	\$33045.00	3L	\$33645.00

4000 Amp Frame

Breaker Type	Interrupting Type	No Sensor ¹	List Price GO-128W	4000A Sensor	List Price GO-128W
WPS-40	Standard	1M	\$32190.00	1N	\$32790.00
	OFLO only ²	—	—	4N	\$33765.00
WPX-40	Extended	3M	\$37115.00	3N	\$37715.00

5000 Amp Frame

Breaker Type	Interrupting Type	5000A Sensor	List Price GO-128W
WPS-50	Standard	1R	\$36660.00
	OFLO only ²	4R	\$37635.00
WPX-50	Extended	3R	\$42165.00

¹ Draw-out breaker only, non-automatic.

² List Price includes OPEN FUSE LOCKOUT (OFLO) device. Use with separate fuse roll-out element (see TABLE B-2 on page 6-17).



Step 2 Select Trip Unit

From the table below, select your trip unit. Transfer the product number digits to the boxes marked **Step 2** in the Product Number Line and the price to the box marked **Step 2** in the Price Column.

MicroVersaTrip® Trip Unit

All MicroVersaTrip® trip units include integral targets and ammeter display. MicroVersaTrip® M adds full metering and communications; MicroVersaTrip® PM adds relaying, metering and communications.

Functions									MicroVersaTrip® Plus		MicroVersaTrip® PM			
Function Code	Long Time	Short Time	Instantaneous	Ground Fault ¹	Defeatable Ground Fault ^{1,2}	Switchable ST or Inst & GF ^{1,2}	ZSI-GF ³	ZSI-GF & ST ³	Product No. Digits	List Price GO-128W	M		PM	
											Product No. Digits	List Price GO-128W	Product No. Digits	List Price GO-128W
LI	•		•						AJ	\$1250.00	BJ	\$2600.00	CJ	\$3500.00
LIG	•		•	•					AK	\$3500.00	BK	\$4850.00	CK	\$5750.00
LIGZ1	•		•	•			•		AL	\$3915.00	BL	\$5265.00	CL	\$6165.00
LIGD ²	•		•		•				AM	\$4000.00	BM	\$5350.00	CM	\$6250.00
LIGDZ1 ²	•		•		•		•		AN	\$4500.00	BN	\$5850.00	CN	\$6750.00
LS	•	•							AA	\$2000.00	BA	\$3350.00	CA	\$4250.00
LSG	•	•		•					AB	\$4250.00	BB	\$5600.00	CB	\$6500.00
LSGZ1	•	•		•			•		AC	\$4665.00	BC	\$6015.00	CC	\$6915.00
LSGZ2	•	•		•			•		AD	\$5080.00	BD	\$6430.00	CD	\$7330.00
LSGD ²	•	•			•				AE	\$4750.00	BE	\$6100.00	CE	\$7000.00
LSGDZ1 ²	•	•			•		•		AF	\$5165.00	BF	\$6515.00	CF	\$7415.00
LSGDZ2 ²	•	•			•		•		AG	\$5580.00	BG	\$6930.00	CG	\$7830.00
LSI	•	•	•						AP	\$2000.00	BP	\$3350.00	CP	\$4250.00
LSIG	•	•	•	•					AQ	\$4250.00	BQ	\$5600.00	CQ	\$6500.00
LSIGX ²	•	•	•	•		•			AR	\$4920.00	BR	\$6270.00	CR	\$7170.00
LSIGZ1	•	•	•	•			•		AS	\$4665.00	BS	\$6015.00	CS	\$6915.00
LSIGZ2	•	•	•	•			•		AT	\$5080.00	BT	\$6430.00	CT	\$7330.00
LSIGD ²	•	•	•		•				AV	\$4750.00	BV	\$6100.00	CV	\$7000.00
LSIGDZ1 ²	•	•	•		•		•		AW	\$5165.00	BW	\$6515.00	CW	\$7415.00
LSIGDZ2 ²	•	•	•		•		•		AY	\$5580.00	BY	\$6930.00	CY	\$7830.00

¹ Ground fault is 3-wire/4-wire. If 4-wire ground fault is required, then one of the A-Disconnect options in **Step 10** must be selected and the sensor for the 4th wire (neutral) must be ordered separately. See Table B-5 on page 6-21.

² Function combination is not UL Listed.

³ Requires zone selective interlock module, Type TIM1 (120Vac control voltage), List Price \$402.00, GO-245B.



Low Voltage Power and DC Circuit Breakers

WavePro Low Voltage Power Circuit Breakers

Section 6

Selection and Pricing (cont.)

Step 3 Select Trip Unit Rating Plug By Current Sensor

Select your rating plug and current sensor combination. Transfer the product number digit to the box marked **Step 3** in the product number line. There is no price component for this step.

Rating Plug	Product No. Digit	Availability by Current Sensor Rating (shaded areas indicate availability)							
		150	400	800	1600	2000	3200	4000	5000
None	X								
60	1	1							
80	2								
100	3								
125	4								
150	5		1						
200	6								
225	7								
250	8								
300	9			1					
400	A								
450	B			1					
500	C								
600	D				1				
700	E								
750	F					1			
800	G					1			
1000	H								
1100	J				1				
1200	K								
1500	L					1			
1600	M								
2000	N								
2400	P								
2500	Q								
3000	R								
3200	S								1
3600	T							1	
4000	V								1
5000	W								1

¹ At coordinate indicated, rating plug and current sensor combination available only on MicroVersaTrip trip units. Not available on Power+ trip units.

Step 4 Select Charge and Close Operators

Select your charge and close options. Transfer the product number digits to the box marked **Step 4** in the Product Number Line and the price to the box marked **Step 4** in the Price Column.

Charge-Close Voltage	Manual		Manual Charge, Remote Close ¹		Electrical Charge & Close ¹	
	Product No. Digit	List Price GO-128W	Product No. Digit	List Price GO-128W	Product No. Digit	List Price GO-128W
Manually Operated	X	\$0.00	—	—	—	—
120V, 60 Hz	—	—	1	\$547.00	F	\$2150.00
120V, 50 Hz	—	—	4	\$547.00	H	\$2150.00
120V, 50/60 Hz - 48Vdc	—	—	—	—	N	\$2150.00
240V, 60 Hz	—	—	3	\$547.00	T	\$2150.00
240V, 50 Hz	—	—	6	\$547.00	W	\$2150.00
48Vdc	—	—	A	\$547.00	E	\$2150.00
110Vdc	—	—	B	\$547.00	P	\$2150.00
125Vdc	—	—	C	\$547.00	Q	\$2150.00
250Vdc	—	—	D	\$547.00	R	\$2150.00

¹ Requires the selection of a shunt trip in **Step 5** and a 4-stage or higher auxiliary switch in **Step 7**.



Publications and Reference: See Section 22 for a complete list of additional product-related publications

Low Voltage Power and DC Circuit Breakers

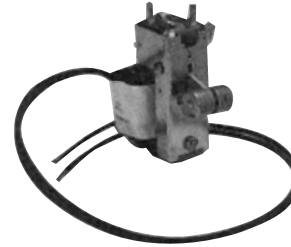
WavePro Low Voltage Power Circuit Breakers

Section 6

Step 5 Select Shunt Trip

Select your shunt trip. Transfer the product number digit to the box marked **Step 5** in the Product Number Line and the price to the box marked **Step 5** in the Price Column. (Note: All shunt trips require the selection of a 4- or 7-stage auxiliary switch in **Step 7**. Second shunt trip may be selected in **Step 9**.)

Voltage	Product Number Digit	List Price, GO-128W	Voltage	Product Number Digit	List Price GO-128W
None	X	\$0.00	240V/50 Hz	7	\$350.00
120V, 60 Hz	1	\$350.00	—	—	—
208V, 60 Hz	2	\$350.00	24Vdc	B	\$350.00
240V, 60 Hz	3	\$350.00	48Vdc	D	\$350.00
70V, 60 Hz	4	\$350.00	110/125Vdc	E	\$350.00
120V, 50 Hz	5	\$350.00	250Vdc	F	\$350.00
208V, 50 Hz	6	\$350.00	—	—	—

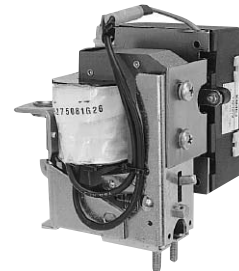


Shunt Trip

Step 6 Select Undervoltage Trip OR Electric Lockout

Select your undervoltage trip or electric lockout option. Transfer the product number digit to the box marked **Step 6** in the Product Number Line and the price to the box marked **Step 6** in the Price Column.

Voltage	Undervoltage (Instantaneous)		Undervoltage with Time Delay ¹		Electric Lockout	
	Product Number Digit	List Price GO-128W	Product Number Digit	List Price GO-128W	Product Number Digit	List Price GO-128W
None	X	\$0.00	X	\$0.00	X	\$0.00
120V, 50/60 Hz	1	\$565.00	—	—	4	\$595.00
208V, 50/60 Hz	—	—	3 ²	\$565.00	—	—
240V, 50/60 Hz	2	\$565.00	3 ³	\$565.00	5	\$595.00
24Vdc	A	\$565.00	—	—	G	\$595.00
48Vdc	B	\$565.00	—	—	H	\$595.00
110Vdc	C	\$565.00	—	—	J	\$595.00
125Vdc	C	\$565.00	E ⁴	\$565.00	J	\$595.00
250Vdc	D	\$565.00	F ⁵	\$565.00	K	\$595.00



Undervoltage Trip/Electric Lockout

¹ Time delay module is provided as a separate component.

² Order static time delay TAKYUVT5 separately. See Table B-6 on page 6-21.

³ Order static time delay TAKYUVT4 separately. See Table B-6 on page 6-21.

⁴ Order static time delay TAKYUVT1 separately. See Table B-6 on page 6-21.

⁵ Order static time delay TAKYUVT2 separately. See Table B-6 on page 6-21.

Step 7 Select Auxiliary Switch

Select your auxiliary switch option. Transfer the product number digit to the box marked **Step 7** in the Product Number Line and the price to the box marked **Step 7** in the Price Column.

Auxiliary Switch	Product No. Digit	List Price GO-128W
None	X	\$0.00
4-stage Auxiliary Switch	A	\$450.00
7-stage Auxiliary Switch	B	\$765.00

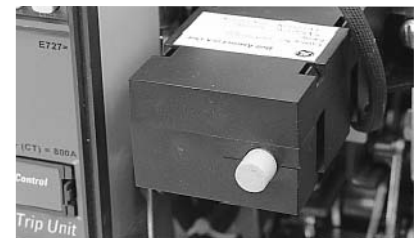


Auxiliary Switch

Step 8 Select Bell Alarm/Push Button Cover

Select your bell alarm option. Transfer the product number digit to the box marked **Step 8** in the Product Number Line and the price to the box marked **Step 8** in the Price Column.

Bell Alarm	Push Button Cover	Product No. Digit	List Price GO-128W
None	None	X	\$0.00
Bell Alarm	None	A	\$635.00
Bell Alarm with Lockout	None	B	\$635.00
None	CLOSE PB Cover	C	\$40.00
Bell Alarm	CLOSE PB Cover	D	\$675.00
Bell Alarm with Lockout	CLOSE PB Cover	E	\$675.00
None	OPEN PB Cover	F	\$40.00
Bell Alarm	OPEN PB Cover	G	\$675.00
Bell Alarm with Lockout	OPEN PB Cover	H	\$675.00
None	CLOSE & OPEN PB Cover	J	\$80.00
Bell Alarm	CLOSE & OPEN PB Cover	K	\$715.00
Bell Alarm with Lockout	CLOSE & OPEN PB Cover	L	\$715.00



Bell Alarm



Low Voltage Power and DC Circuit Breakers

WavePro Low Voltage Power Circuit Breakers

Step 9 Select Second Shunt Trip

If you selected a shunt trip in **Step 5** and require another, select your second shunt trip option. Transfer the product number digit to the box marked **Step 9** in the Product Number Line and the price to the box marked **Step 9** in the Price Column. Note: Second shunt trip requires the selection of a 7-stage auxiliary switch in **Step 7**.

Voltage	Product No. Digit	List Price GO-128W
None	X	\$0.00
120V, 60 Hz	1	\$635.00
240V, 60 Hz	3	\$635.00
24Vdc	B	\$635.00
110/125Vdc	E	\$635.00
250Vdc	F	\$635.00

Step 10 Select Additional Options

Select your combination of additional options. Transfer the product number digit to the box marked **Step 10** in the Product Number Line and the price to the box marked **Step 10** in the Price Column.

A-Disconnect ¹ "PM Ready"	Hidden Close Push Button ²	Operation Counter	Remote Charge Indicator	Product No. Digit	List Price GO-128W
				X (none)	\$0.00
			•	A	\$375.00
		•		B	\$375.00
		•	•	C	\$750.00
	•			D	\$125.00
	•		•	E	\$500.00
	•	•		F	\$500.00
	•	•	•	G	\$875.00
•				H	\$250.00
•			•	J	\$625.00
•		•		K	\$625.00
•		•	•	L	\$1000.00

¹The 36-point A-Disconnect is automatically supplied if any of the following options were selected in previous steps:

- zone selective interlock
- shunt trip
- auxiliary switch
- bell alarm
- undervoltage trip
- electrical lockout device
- electric charge and close
- MicroVersaTrip PM trip unit ("M" or "PM" option)

Select the A-Disconnect here only if (1) none of these options were selected in previous steps and 4-wire ground fault is required or (2) none of these options were selected in previous steps and your WavePro breaker is to be "PM ready." "PM ready" wiring includes inputs for 24V dc auxiliary power, communications, and 3 phase voltage.

²Available only on breakers with electrical charge and close option.



Optional Hidden Close button feature shown



Low Voltage Power and DC Circuit Breakers

WavePro Low Voltage Power Circuit Breakers

Section 6

WavePro Breaker Power+ and MicroVersaTrip® Plus/PM Rating Plugs

Breaker Frame Size (Amps)	Current Sensor (Amps)	Rating Plug (Amps)	Power+ Rating Plug w/o GF	Power+ Rating Plug with GF	Power+ Rating Plug with Defeatable GF	MicroVersaTrip® Plus/PM Rating Plug	
800	150	List Price GO-245A	\$89.00	\$747.00	\$820.00	\$89.00	
		60	N/A	N/A	N/A	TR1B60	
		80	TR1C80	TR1C80GF	TR1C80GFD	TR1B80	
		100	TR1C100	TR1C100GF	TR1C100GFD	TR1B100	
		125	TR1C125	TR1C125GF	TR1C125GFD	TR1B125	
	400	150	N/A	N/A	N/A	TR4B150	
		200	TR4C200	TR4C200GF	TR4C200GFD	TR4B200	
		225	TR4C225	TR4C225GF	TR4C225GFD	TR4B225	
		250	TR4C250	TR4C250GF	TR4C250GFD	TR4B250	
		300	TR4C300	TR4C300GF	TR4C300GFD	TR4B300	
		400	TR4C400	TR4C400GF	TR4C400GFD	TR4B400	
		800	300	N/A	N/A	N/A	TR8B300
			400	TR8C400	TR8C400GF	TR8C400GFD	TR8B400
			450	N/A	N/A	N/A	TR8B450
			500	TR8C500	TR8C500GF	TR8C500GFD	TR8B500
	600		TR8C600	TR8C600GF	TR8C600GFD	TR8B600	
	1600	800	700	TR8C700	TR8C700GF	TR8C700GFD	TR8B700
			800	TR8C800	TR8C800GF	TR8C800GFD	TR8B800
			300	N/A	N/A	N/A	TR8B300
			400	TR8C400	TR8C400GF	TR8C400GFD	TR8B400
450			N/A	N/A	N/A	TR8B450	
1600		600	N/A	N/A	N/A	TR16B600	
		800	TR16C800	TR16C800GF	TR16C800GFD	TR16B800	
		1000	TR16C1000	TR16C1000GF	TR16C1000GFD	TR16B1000	
		1100	N/A	N/A	N/A	TR16B1100	
		1200	TR16C1200	TR16C1200GF	TR16C1200GFD	TR16B1200	
2000	2000	1600	TR16C1600	TR16C1600GF	TR16C1600GFD	TR16B1600	
		750	N/A	N/A	N/A	TR20B750	
		800	N/A	N/A	N/A	TR20B800	
		1000	TR20C1000	TR20C1000GF	TR20C1000GFD	TR20B1000	
		1200	TR20C1200	TR20C1200GF	TR20C1200GFD	TR20B1200	
		1500	N/A	N/A	N/A	TR20B1500	
		1600	TR20C1600	TR20C1600GF	TR20C1600GFD	TR20B1600	
3200	3200	2000	TR20C2000	TR20C2000GF	TR20C2000GFD	TR20B2000	
		1200	TR32C1200	TR32C1200GF	TR32C1200GFD	TR32B1200	
		1600	TR32C1600	TR32C1600GF	TR32C1600GFD	TR32B1600	
		2400	TR32C2400	TR32C2400GF	TR32C2400GFD	TR32B2400	
4000	4000	3200	TR32C3200	TR32C3200GF	TR32C3200GFD	TR32B3200	
		1600	TR40C1600	TR40C1600GF	TR40C1600GFD	TR40B1600	
		2000	TR40C2000	TR40C2000GF	TR40C2000GFD	TR40B2000	
		2500	TR40C2500	TR40C2500GF	TR40C2500GFD	TR40B2500	
		3000	TR40C3000	TR40C3000GF	TR40C3000GFD	TR40B3000	
5000	5000	3600	N/A	N/A	N/A	TR40B3600	
		4000	TR40C4000	TR40C4000GF	TR40C4000GFD	TR40B4000	
		3200	N/A	N/A	N/A	TR50B3200	
		4000	N/A	N/A	N/A	TR50B4000	
		5000	N/A	N/A	N/A	TR50B5000	

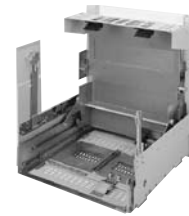


Table B-1.

Breaker Substructures

NOTE: Use shallow substructures unless there are other deep substructures in the line-up.

Frame Size	Breaker Type	Substructure Type	Substructure Product No.	List Price GO-128W
800	WPS-08	Shallow (29")	WPS08SUBSH1	\$1650.00
		Deep (36")	WPS08SUBDP1	\$1850.00
	WPH-08	Shallow (29")	WPH08SUBSH1	\$1650.00
		Deep (36")	WPH08SUBDP1	\$1850.00
	WPX-08	Shallow (29")	WPX08SUBSH1	\$1950.00
		Deep (36")	WPX08SUBDP1	\$2100.00
WPF-08	Deep (36")	WPF08SUBDP1	\$1850.00	
1600	WPS-16	Shallow (29")	WPS16SUBSH1	\$1950.00
		Deep (36")	WPS16SUBDP1	\$2100.00
	WPH-16	Shallow (29")	WPH16SUBSH1	\$1950.00
		Deep (36")	WPH16SUBDP1	\$2250.00
	WPF-16	Deep (36")	WPF16SUBDP1	\$2300.00
		Deep, with 2500A CL Fuses (36")	WPF16SUBDP2	\$2450.00
2000	WPS-20	Shallow (29")	WPS20SUBSH1	\$2100.00
		Deep (36")	WPS20SUBDP1	\$2250.00
	WPS-20 with OFLO	Shallow (29")	WPS20SUBSH2	\$2100.00
		Deep (36")	WPS20SUBDP2	\$2250.00
3200	WPS-32	Shallow (29")	WPS32SUBSH1	\$3450.00
	WPS-32 with OFLO	Shallow (29")	WPS32SUBSH2	\$3450.00
	WPH-32	Shallow (29")	WPH32SUBSH1	\$3450.00
	WPX-32	Shallow (29")	WPX32SUBSH1	\$3450.00
4000	WPS-40	Shallow (29")	WPS40SUBSH1	\$5300.00
	WPS-40 with OFLO	Shallow (29")	WPS40SUBSH2	\$5300.00
	WPX-40	Shallow (29")	WPX40SUBSH1	\$5300.00
5000	WPS-50	Deep (36")	WPS50SUBDP1	\$7650.00
	WPS-50 with OFLO	Deep (36")	WPS50SUBDP2	\$7650.00
	WPX-50	Deep (36")	WPX50SUBDP1	\$7650.00



Large frame sub-structure
(shown with optional accessories)

Table B-2.

Fuse Rollout Elements and Substructures for Drawout Equipment Substructures
600 Volts AC, 50/60 Hz

NOTE: When used in conjunction with these fuse roll out elements, WavePro Type WPS drawout circuit breaker elements should be equipped with an open fuse lockout (OFLO) device, and the WPS breaker substructure should be ordered with a Keylock Mounting Kit. Key interlock is supplied and mounted by the customer.

Frame Size	Substructure Type	Fuse Roll Out Element (FRE) Only (No Fuses) ^{1,2}		FRE Drawout Substructures ^{2,3}	
		Product No.	List Price GO-128W	Product No.	List Price GO-128W
2000A/3200A	Shallow	WP32FRE	\$7470.00	WP32FRSUBSH1	\$4150.00
4000A	Shallow	WP40FRE	\$7950.00	WP40FRSUBSH1	\$5250.00
5000A	Deep	WP50FRE	\$8690.00	WP50FRSUBSH1	\$6375.00

¹Fuse rollouts accept special Class L fuses 2000-5000 Amps. See WavePro Application Guide (DET-167) for additional information.

²UL recognized component.

³Substructures for fuse rollouts include provision for keylock mounting as standard feature.



Table B-3

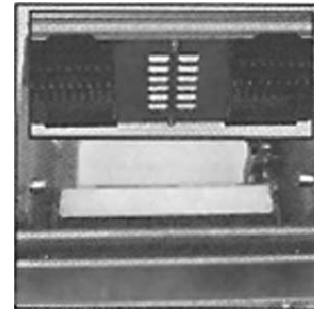
Breaker Substructures Accessories

Substructure accessories shown assembled are shipped separately for field installation.

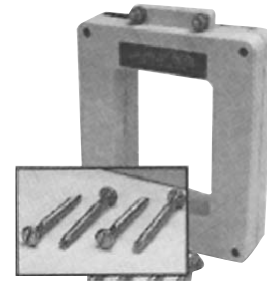
Substructure Product Number	Accessory	Accessory Product Number	List Price GO-128W
WPS08SUBSH1 WPH08SUBSH1 WPX08SUBSH1	Secondary Disconnect (bracket only)	WPSDSFSH1	\$75.00
	Secondary Disconnect (one 36-pin block)	WPSDSUBM1	\$350.00
	CT Hardware Mounting Kit, Metering Type (for 3 CTs)	WPCTMTG1	\$50.00
	CT Hardware Mounting Kit, Relaying Type (for 3 CTs)	WPCTMTG2	\$50.00
	One-stage Position Switch Kit	WPPSMTG1	\$375.00
	Three-stage Position Switch Kit	WPPSMTG2	\$475.00
	Shutter Kit	WPSHMTG1	\$515.00
	Padlock Kit	Standard on breaker	—
	Keylock Mounting Kit (bracket only)	WPSKMTG1	\$390.00
	Door Interlock Kit	WPDIMTG1	\$125.00
WPS08SUBDP1 WPH08SUBDP1 WPX08SUBDP1	Secondary Disconnect (bracket only)	WPSDSFDP1	\$75.00
	Secondary Disconnect (one 36-pin block)	WPSDSUBM1	\$350.00
	CT Hardware Mounting Kit, Metering Type (for 3 CTs)	WPCTMTG1	\$50.00
	CT Hardware Mounting Kit, Relaying Type (for 3 CTs)	WPCTMTG2	\$50.00
	One-stage Position Switch Kit	WPPSMTG3	\$375.00
	Three-stage Position Switch Kit	WPPSMTG4	\$475.00
	Shutter Kit	WPSHMTG2	\$515.00
	Padlock Kit	Standard on breaker	—
	Keylock Mounting Kit (bracket only)	WPSKMTG1	\$390.00
	Door Interlock Kit	WPDIMTG1	\$125.00
WPF08SUBDP1	Secondary Disconnect (bracket only)	WPSDSFDP1	\$75.00
	Secondary Disconnect (one 36-pin block)	WPSDSUBM1	\$350.00
	CT Hardware Mounting Kit, Metering Type (for 3 CTs)	WPCTMTG1	\$50.00
	CT Hardware Mounting Kit, Relaying Type (for 3 CTs)	WPCTMTG2	\$50.00
	One-stage Position Switch Kit	WPPSMTG5	\$375.00
	Three-stage Position Switch Kit	WPPSMTG6	\$475.00
	Shutter Kit	WPSHMTG3	\$515.00
	Padlock Kit	Standard on breaker	—
	Keylock Mounting Kit (bracket only)	WPSKMTG1	\$390.00
	Door Interlock Kit	WPDIMTG1	\$125.00



Secondary disconnect blocks



Secondary disconnect bracket with disconnects installed



CT mounting hardware kit

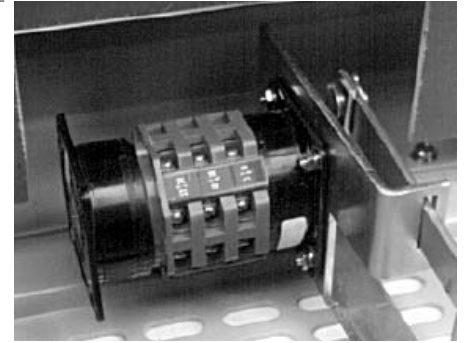
Low Voltage Power and DC Circuit Breakers OEM Substructures and Substructure Accessories

Section 6

Table B-3 (continued)

Breaker Substructures Accessories (cont.)

Substructure Product Number	Accessory	Accessory Product Number	List Price GO-128W
WPS16SUBSH1 WPH16SUBSH1	Secondary Disconnect (bracket only)	WPSDSFSH1	\$75.00
	Secondary Disconnect (one 36-pin block)	WPSDSUBM1	\$350.00
	CT Hardware Mounting Kit, Metering Type (for 3 CTs)	WPCTMTG1	\$50.00
	CT Hardware Mounting Kit, Relaying Type (for 3 CTs)	WPCTMTG2	\$50.00
	One-stage Position Switch Kit	WPPSMTG1	\$375.00
	Three-stage Position Switch Kit	WPPSMTG2	\$475.00
	Shutter Kit	WPSHMTG1	\$515.00
	Padlock Kit	Standard on breaker	—
	Keylock Mounting Kit (bracket only)	WPSKLMTG1	\$390.00
Door Interlock Kit	WPDIMTG1	\$125.00	
WPS16SUBDP1 WPH16SUBDP1	Secondary Disconnect (bracket only)	WPSDSFDP1	\$75.00
	Secondary Disconnect (one 36-pin block)	WPSDSUBM1	\$350.00
	CT Hardware Mounting Kit, Metering Type (for 3 CTs)	WPCTMTG1	\$50.00
	CT Hardware Mounting Kit, Relaying Type (for 3 CTs)	WPCTMTG2	\$50.00
	One-stage Position Switch Kit	WPPSMTG3	\$375.00
	Three-stage Position Switch Kit	WPPSMTG4	\$475.00
	Shutter Kit	WPSHMTG2	\$515.00
	Padlock Kit	Standard on breaker	—
	Keylock Mounting Kit (bracket only)	WPSKLMTG1	\$390.00
Door Interlock Kit	WPDIMTG1	\$125.00	
WPF16SUBDP1 (Fuse <2500A)	Secondary Disconnect (bracket only)	WPSDSFDP1	\$75.00
	Secondary Disconnect (one 36-pin block)	WPSDSUBM1	\$350.00
	CT Hardware Mounting Kit, Metering Type (for 3 CTs)	WPCTMTG1	\$50.00
	CT Hardware Mounting Kit, Relaying Type (for 3 CTs)	WPCTMTG2	\$50.00
	One-stage Position Switch Kit	WPPSMTG5	\$375.00
	Three-stage Position Switch Kit	WPPSMTG6	\$475.00
	Shutter Kit	WPSHMTG3	\$515.00
	Padlock Kit	Standard on breaker	—
	Keylock Mounting Kit (bracket only)	WPSKLMTG1	\$390.00
Door Interlock Kit	WPDIMTG1	\$125.00	
WPF16SUBDP2 (Fuse = 2500A)	Secondary Disconnect (bracket only)	WPSDSFDP1	\$75.00
	Secondary Disconnect (one 36-pin block)	WPSDSUBM1	\$350.00
	CT Hardware Mounting Kit, Metering Type (for 3 CTs)	WPCTMTG1	\$50.00
	CT Hardware Mounting Kit, Relaying Type (for 3 CTs)	WPCTMTG2	\$50.00
	One-stage Position Switch Kit	WPPSMTG7	\$375.00
	Three-stage Position Switch Kit	WPPSMTG8	\$475.00
	Shutter Kit	Contact factory	—
	Padlock Kit	Standard on breaker	—
	Keylock Mounting Kit (bracket only)	WPSKLMTG1	\$390.00
Door Interlock Kit	WPDIMTG1	\$125.00	



Position switch kit



Shutter kit as installed on substructure



Publications and Reference: See Section 22 for a complete list of additional product-related publications

Table B-3. Continued

Breaker Substructures Accessories (cont.)

Substructure Product Number	Accessory	Accessory Product Number	List Price GO-128W
WPS20SUBSH1 WPS20SUBSH2	Secondary Disconnect (bracket only)	WPSDSFSH1	\$75.00
	Secondary Disconnect (one 36-pin block)	WPSDSUBM1	\$350.00
	CT Hardware Mounting Kit, Metering Type (for 3 CTs)	WPCTMTG1	\$50.00
	CT Hardware Mounting Kit, Relaying Type (for 3 CTs)	WPCTMTG2	\$50.00
	One-stage Position Switch Kit	WPPSMTG1	\$375.00
	Three-stage Position Switch Kit	WPPSMTG2	\$475.00
	Shutter Kit	WPSHMTG1	\$515.00
	Padlock Kit	Standard on breaker	—
	Keylock Mounting Kit (bracket only)	WPSKMTG1	\$390.00
Door Interlock Kit	WPDIMTG1	\$125.00	
WPS20SUBDP1 WPS20SUBDP2	Secondary Disconnect (bracket only)	WPSDSFDP1	\$75.00
	Secondary Disconnect (one 36-pin block)	WPSDSUBM1	\$350.00
	CT Hardware Mounting Kit, Metering Type (for 3 CTs)	WPCTM1G1	\$50.00
	CT Hardware Mounting Kit, Relaying Type (for 3 CTs)	WPCTMTG2	\$50.00
	One-stage Position Switch Kit	WPPSMTG3	\$375.00
	Three-stage Position Switch Kit	WPPSMTG4	\$475.00
	Shutter Kit	WPSHMTG2	\$515.00
	Padlock Kit	Standard on breaker	—
	Keylock Mounting Kit (bracket only)	WPSKMTG1	\$390.00
Door Interlock Kit	WPDIMTG1	\$125.00	
WPS32SUBSH1 WPS32SUBSH2 WPH32SUBSH1 WPX32SUBSH1	Secondary Disconnect (bracket only)	WPSDLFSH1	\$75.00
	Secondary Disconnect (one 36-pin block)	WPSDSUBM2	\$375.00
	CT Hardware Mounting Kit, Metering Type (for 3 CTs)	WPCTMTG1	\$50.00
	CT Hardware Mounting Kit, Relaying Type (for 3 CTs)	WPCTMTG2	\$50.00
	One-stage Position Switch Kit	WPPSMTG9	\$375.00
	Three-stage Position Switch Kit	WPPSMTG10	\$475.00
	Shutter Kit	WPSHMTG4	\$575.00
	Padlock Kit	WPPKMTG1	\$175.00
	Keylock Mounting Kit (bracket only)	WPSKMTG2	\$475.00
Door Interlock Kit	WPDIMTG2	\$155.00	
WPS40SUBSH1 WPS40SUBSH2 WPX40SUBSH1	Secondary Disconnect (bracket only)	WPSDLFSH1	\$75.00
	Secondary Disconnect (one 36-pin block)	WPSDSUBM2	\$375.00
	CT Hardware Mounting Kit, Metering Type (for 3 CTs)	WPCTMTG1	\$50.00
	CT Hardware Mounting Kit, Relaying Type (for 3 CTs)	WPCTMTG2	\$50.00
	One-stage Position Switch Kit	WPPSMTG9	\$375.00
	Three-stage Position Switch Kit	WPPSMTG10	\$475.00
	Shutter Kit	WPSHMTG4	\$575.00
	Padlock Kit	WPPKMTG1	\$175.00
	Keylock Mounting Kit (bracket only)	WPSKMTG2	\$475.00
Door Interlock Kit	WPDIMTG2	\$155.00	
WPS50SUBDP1 WPS50SUBDP2 WPX50SUBDP1	Secondary Disconnect (bracket only)	WPSDLFDP1	\$75.00
	Secondary Disconnect (one 36-pin block)	WPSDSUBM2	\$375.00
	CT Hardware Mounting Kit, Metering Type (for 3 CTs)	WPCTMTG3	\$50.00
	CT Hardware Mounting Kit, Relaying Type (for 3 CTs)	Contact factory	—
	One-stage Position Switch Kit	WPPSMTG9	\$375.00
	Three-stage Position Switch Kit	WPPSMTG10	\$475.00
	Shutter Kit	WPSHMTG5	\$575.00
	Padlock Kit	WPPKMTG2	\$175.00
	Keylock Mounting Kit (bracket only)	WPSKMTG3	\$475.00
Door Interlock Kit	WPDIMTG3	\$180.00	



Padlock kit (standard on small frame breakers, optional on large frame breakers)



Keylock mounting kit bracket



Door interlock kit

Continued on next page



Table B-4.

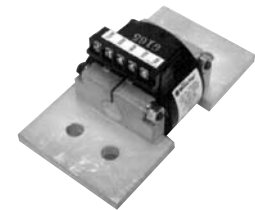
Fuse Rollout Substructure Accessories

Substructure Product Number	Accessory	Accessory Product No.	List Price GO-128W
WP32FRSUBSH1 WP40FRSUBSH1	Secondary Disconnect (bracket only)	WPSDLFSH1	\$75.00
	Secondary Disconnect (one 36-pin block)	WPSDSUBM2	\$375.00
	Metering CT Hardware Mounting Kit (for three CTs)	WPCTMTG1	\$50.00
	Relaying CT Hardware Mounting Kit (for three CTs)	WPCTMTG2	\$50.00
	One-stage Position Switch Kit	WPPSMTG9	\$375.00
	Three-stage Position Switch Kit	WPPSMTG10	\$475.00
	Shutter Kit	WPSHMTG4	\$575.00
	Padlock Kit	WPPKMTG1	\$175.00
	Keylock Mounting Kit (bracket only)	Part of substructure	—
WP50FRSUBSH1	Door Interlock Kit	WPDIMTG2	\$155.00
	Secondary Disconnect (bracket only)	WPSDLFDP1	\$75.00
	Secondary Disconnect (one 36-pin block)	WPSDSUBM2	\$375.00
	Metering CT Hardware Mounting Kit (for three CTs)	WPCTMTG3	\$50.00
	Relaying CT Hardware Mounting Kit (for three CTs)	Not available	—
	One-stage Position Switch Kit	WPPSMTG9	\$375.00
	Three-stage Position Switch Kit	WPPSMTG10	\$475.00
	Shutter Kit	WPSHMTG5	\$575.00
	Padlock Kit	WPPKMTG2	\$175.00
	Keylock Mounting Kit (bracket only)	Part of substructure	—
	Door Interlock Kit	WPDIMTG3	\$180.00

Table B-5.

Neutral Current Transformers (required with 4-wire ground fault).

Frame (Amps)	Circuit Breaker Sensor Amps Rating	Neutral Sensor Rating (Amps)	Product Number	List Price GO-128C
800	150	100-300	TSVG303B	\$805.00
	400, 800	300-800	TSVG508B	\$805.00
1600	800	300-800	TSVG508B	\$805.00
	1600	600-1600	TSVG516B	\$805.00
2000	2000	800-2000	TSVG620B	\$1417.00
3200	3200	1200-3200	TSVG832B	\$1962.00
4000	4000	1600-4000	TSVG940B	\$1962.00
5000	5000	5000	TSVG950B	\$1962.00



Neutral Current Transformer

Table B-6.

Static Time Delays for Undervoltage Option

Voltage	Static Time Delay Product No. ¹	List Price GO-128W
125Vdc	TAKYUVT1	\$1091.00
250Vdc	TAKYUVT2	\$1091.00
208 Vac (50/60 Hz)	TAKYUVT5	\$1091.00
240 Vac (50/60 Hz)	TAKYUVT4	\$1091.00

¹ Must be ordered in conjunction with "Undervoltage with Time Delay" option in Step 6 on page 6-14.



Static Time Delay

Table B-7.

Miscellaneous Accessories

Accessory	Product Number	List Price GO-128W
Breaker Racking Handle—Std 30" Long - Non Swivel	0324B4721G001	\$175.00
Breaker Racking Handle—64" Long - Non Swivel	0324B4721G002	\$240.00
Breaker Racking Handle—30" Long - Swivel Socket	0324B4724G001	\$250.00
Maintenance Closing Handle	568B386G1	\$325.00
Small Frame Lifting Assembly, WP08, 16, 20	0324B4551G001	\$85.00
Large Frame Lifting Assembly, WP32, 40	0247B8961G001	\$95.00
Extra Large Frame Lifting Assembly, WP50	0247B8961G003	\$105.00
Fuse Rollout Out Element Lifting Assembly, 3200A & 4000A	0247B8961G004	\$95.00
Fuse Rollout Element Lifting Assembly, 5000A	0247B8961G005	\$105.00
WavePro Breaker Maintenance Video (Approx. 40 minutes, VHS format) ²	DEV-042	\$2500.00

² Order only from Burlington OEM marketing.



Publications and Reference: See Section 22 for a complete list of additional product-related publications

Table B-8.

POWER LEADER® Power Supply

The POWER LEADER® power supply provides 24Vdc control power to MicroVersaTrip® PM trips units used on WavePro low voltage power circuit breakers. The control power is required for the trip unit's communication and protective relay functions.

Description	Product Number	List Price GO-104A	System Requirements (Not included with power supply)
1.5A power supply. Maximum wire length from power supply to trip device is 100 feet. A maximum of 45 trip units may be powered from a single power supply.	PLPS4G01	\$1250.00	Input power, 100VA (85-265 Vac or 100-370 Vdc)

Table B-9.

POWER LEADER® Voltage Conditioner

Conditions and scales 120Vac to 1.76Vac for use by the trip unit for voltage sensing. Provides transient protection. Requires isolation PTs with 120 volt secondary. Supports up to 15 trip units at a maximum distance of 20 feet. Required for PM trip units only.

Description	Product Number	List Price GO-104A	System Requirements (Not included with voltage conditioners)
Supplies isolated bus voltage signal to MicroVersaTrip® PM trip units.	PLVC1G01	\$200.00/set	One set of 3 voltage conditioners required for each sensing location. PTs also required.

Table B-10.

MicroVersaTrip® Portable Power Pack

The MicroVersaTrip® Portable Battery Pack is a maintenance power source used to power up trip units for setting or adjusting trip set points or for reading trip targets when the trip unit is not otherwise energized. It is a redundant power source to the onboard battery supplied with the Enhanced MicroVersaTrip® Plus and PM (5-button keypad) trip units. The portable battery pack connects to the trip unit through the rating plug test jack. It requires three (3) standard 9Vdc alkaline batteries (not included).

Description	Product Number	List Price GO-245A
MicroVersaTrip® Portable Power Pack	TVPBP	\$75.00

Table B-11.

MicroVersaTrip® Rating Plug Removal Tool

Description	Product Number	List Price GO-135S
MicroVersaTrip® Rating Plug Removal Tool	TRTOOL	\$12.00

Table B-12.

GE Trip Unit Portable Test Set

This portable, battery- or ac-powered test kit allows for self-tests and functioning trip/no trip tests on Power+, MicroVersaTrip® Plus and MicroVersaTrip® PM trip units (excluding 4- or 9-function MicroVersaTrip® trip units). It can also defeat the ground fault function and be used in conjunction with high current test equipment. The interface is via a jack on the front of the trip units, and tests can be conducted with the breaker in service. The Test Set uses six rechargeable nickel-cadmium or standard alkaline D cell batteries (not included), or it can be powered by a 120Vac source.

Description	Product Number	List Price GO-245B
Portable Test Set that may also be used to temporarily defeat ground fault function when using primary injection (high current test set).	TVRMS2	\$3000.00



GE Trip Unit Portable Test Set



Table B-13.

Metering and Relaying Current Transformers for 800-5000A Substructures, 600 Vac, 50/60 Hz

Breaker Frame Size	Ampere Ratio (I):5	Metering Product Number	List Price GO-128	Metering & Relaying Product Number	List Price GO-128
800A 1600A 2000A	100	75C149640P001	\$375.00	75C149640P025	\$500.00
	150	75C149640P002		75C149640P026	
	200	75C149640P003		75C149640P027	
	250	75C149640P004		75C149640P028	
	300	75C149640P005		75C149640P029	
	400	75C149640P006		75C149640P030	
	500	75C149640P007		75C149640P031	
	600	75C149640P008		75C149640P032	
	800	75C149640P010	75C149640P034		
	1000	75C149640P011	\$425.00	75C149640P035	\$500.00
	1200	75C149640P012		75C149640P036	
	1500	75C149640P013		75C149640P037	
	1600	75C149640P014		75C149640P038	
	2000	75C149640P015		75C149640P039	
	2500	75C149640P016		75C149640P040	
	3200A 4000A	2000	75C149640P020	\$475.00	75C149640P044
2500		75C149640P021	75C149640P045		
3000		75C149640P022	75C149640P046		
3200		75C149640P023	75C149640P047		
4000		75C149640P024	75C149640P048		
5000A	5000	75C149640P049	\$700.00	Consult Factory	



Publications and Reference: See Section 22 for a complete list of additional product-related publications

GE offers a complete line of trip unit upgrade kits for low voltage power circuit breakers manufactured by GE, as well as by Westinghouse, I-T-E, and Allis-Chalmers. These conversion kits contain everything necessary to convert an old-style electro-mechanical or solid-state trip unit to today's latest electronic, digital technology—including the addition of metering, protective relay, and communication functions. All conversion kits designed by GE are tested to ANSI C37.59 standards for each breaker type so customers have the assurance of safe, reliable operation.

Features and Benefits—All Kits

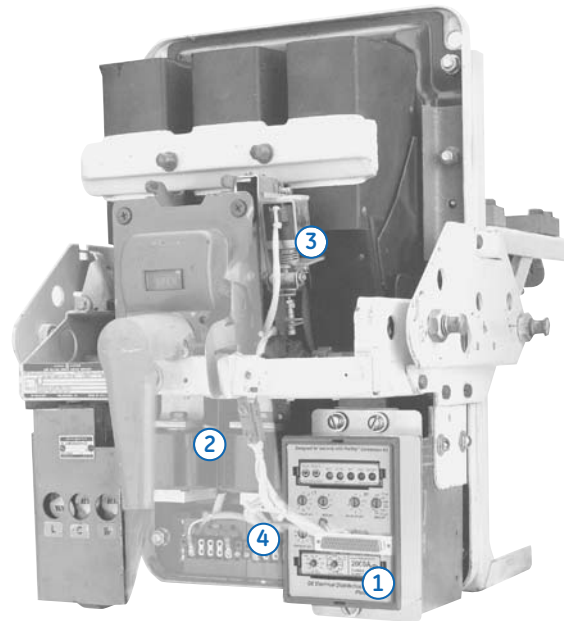
- Kit includes everything needed in one compact package
- Full-range of interchangeable rating plugs
- Trip targets for quick identification of overload, short circuit, and ground fault trips
- Sealable, see-through cover to prevent unauthorized access to trip unit settings
- Test jack for TVRMS2 portable trip unit test kit
- Eliminate costly downtime due to nuisance tripping
- Improved power system coordination and protection
- Extend life and function of existing breakers and low voltage equipment

MicroVersaTrip® Plus and PM Conversion Kits

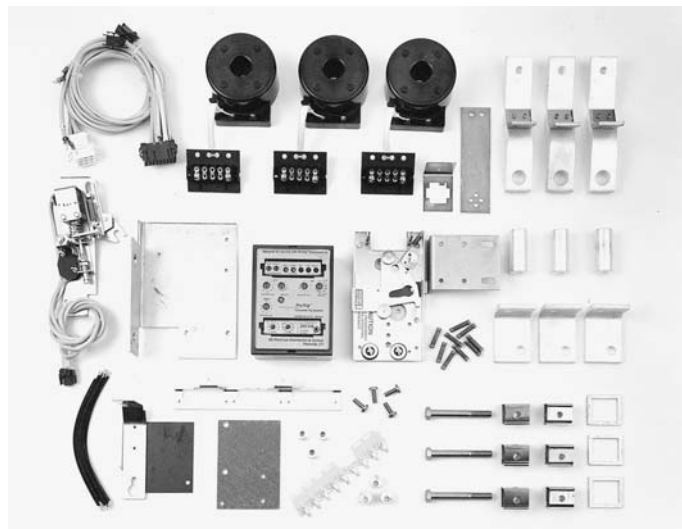
- True RMS sensing with a sampling rate of 64 samples per cycle for accurate waveform measurements through the 31st harmonic—provides superior protection of systems with AC and DC variable speed drives, rectifiers, induction heaters and other loads that contribute to non-sinusoidal (high harmonic) current waveforms
- Long time pickup and delay, instantaneous pickup - standard
- High-visibility Liquid Crystal Display with phase selectable ammeter and trip targets
- Trip settings and trip target information stored in non-volatile memory
- On-board lithium battery (field replaceable) for cold setup and reading trip targets
- Optional short time pickup and delay, ground fault pickup and delay, high range instantaneous
- Optional switchable short time, instantaneous, and ground fault functions
- Optional communications, expanded metering, and protective relaying functions (PM trip units)
- Easy field upgrades for interface with GE's Power Management Control System (PMCS)
- Safe, convenient, closed-door local metering via the optional Remote Display

ProTrip™ Conversion Kits

- Cost-effective upgrade with standard adjustable long time, short time, instantaneous, and defeatable ground fault functions
- Simple-to-use rotary switches for selecting the trip unit pickup and delay settings
- True RMS sensing with sampling rate of 48 times per cycle per phase - accurate waveform measurements through the 11th harmonic
- Standard target module with individual LEDs for overload pickup, overload trip, short circuit trip, ground fault trip, and target module battery monitor



AKU-2A-25-1 breaker with ProTrip™ Complete Trip System
ProTrip™ complete trip systems come with everything you need:
1 - trip unit, 2 - current sensors, 3 - flux shifter, 4 - wiring harness and all required hardware



ProTrip™ Conversion Kits

Everything You Need in One Package

ProTrip™, MicroVersaTrip® Plus, and MicroVersaTrip® PM conversion kits for the breakers listed in the following pages are shipped complete with detailed installation instructions and everything needed for fast and easy trip unit conversions.

- Digital solid-state trip with quick disconnect
- Direct-acting flux shift trip actuator with automatic reset
- Epoxy encapsulated high-accuracy current sensors
- Interchangeable rating plug (order separately)
- Specially designed mounting hardware and wire harnesses for each breaker frame



Low Voltage Power and DC Circuit Breakers Trip Unit Conversion Kits for GE, I-T-E, Westinghouse, Allis-Chalmers Circuit Breakers

MicroVersaTrip® PM Conversion Kits— Power Management Made Easy

The MicroVersaTrip® PM trip unit's standard communication port opens a new world of information. When connected to a GE Power Management system, it gives you the power to increase productivity and reduce costs, while meeting all your electrical system monitoring needs.

The POWER LEADER® Modbus Concentrator can be connected to MicroVersaTrip® PM trip units, allowing communication with the GE Power Management Control System (PMCS) software. With PMCS, you'll see how easy it is to:

- View custom metering screens and CAD drawings of our system
- Analyze energy consumption and power factor trends to minimize utility demand and PF charges or provide cost allocations
- Collect precise sequence of event and alarm information to speed diagnosis and minimize downtime
- Utilize alarm and event logs to assist with maintenance interval planning
- Analyze system harmonics (with data from the POWER LEADER® family of meters)
- Use the POWER LEADER® Modbus Concentrator to communicate with MicroVersaTrip® PM trip units on Spectra Series molded case circuit breakers, Power Break II insulated case circuit breakers, and AKR/WavePro power circuit breakers (refer to BuyLog® Section 18 for network architecture)
- Communicate with Modbus RTU-supported electronic meters and relays

Additional Features

Full-function metering including

- current (Amps, kAmps)
- voltage (Ph-Ph, Ph-N)
- energy (kWh, MWh, GWh)
- real power (kW, MW)
- total power (kVA, MVA)
- frequency (Hz)
- demand (avg. kW, MW) and peak demand

Optional protective relaying functions include

- undervoltage
- overvoltage
- voltage unbalance
- current unbalance
- power reversal
- power direction setup



Refer to BuyLog® Section 18 for additional Power Management components not supplied with the MicroVersaTrip® PM conversion kits (voltage transformers, voltage conditioners, 24 VDC power supplies, Modbus Concentrator, interconnection cables, and PMCS software)

Reference Publications

GE MVT Plus and PM Conversion Kits	DET-066
I-T-E MVT Plus and PM Conversion Kits	DET-067
Westinghouse MVT Plus and PM Conversion Kits	DET-093
Allis-Chalmers MVT Plus and PM Conversion Kits	DET-226
GE ProTrip™ Conversion Kits	DET-228
I-T-E ProTrip™ Conversion Kits	DET-229
Westinghouse ProTrip™ Conversion Kits	DET-230
Allis-Chalmers ProTrip™ Conversion Kits	DET-231



Publications and Reference: See Section 22 for a complete list of additional product-related publications

Low Voltage Power and DC Circuit Breakers ProTrip™ Trip Unit Conversion Kit Selection Guide

Section 6

For GE Circuit Breakers

Product Number Structure

PK115		D	3	F	01	08
Breaker						Trip Functions LSIGX- 08
AK-1-15	PK115					Sensor Rating 150A- 01 225A- 02 600A- 06 800A- 08 1600A- 16 2000A- 20 3000A- 30 4000A- 40
AK-15	PKO15 ¹					
AK-1-25	PK125					
AK-25	PKO25 ¹					
AKU-25						
AK-1-50	PK150					
AK-50						
AKU-50 ²						
AKT-50	PKO50 ¹					
AKS-50						
AKSU-50 ²						
AKST-50						
AK-75 ³	PKO75 ³					
AK-100 ³	PKO10 ³					
Model						Trip Unit Functions LSIGX- Long Time, Short Time/INST. and Switchable Ground Fault (off) Not Approved for a UL Listed Breaker
Generation-D						
Wiring						
3 Wire-3						
4 Wire-4						
Sensor Type						
Fixed CTs-F						

Sensor Rating Selection			
Frame	Breaker	Product Numbers	Sensors
225	AK-1-15, AK-15		150A, 225A
600	AK-1-25, AK-25, AKU-25		150A, 225A, 600A
1600	AK-1-50, AK-50, AKU-50, AKS-50, AKSU-50		800A, 1600A
2000	AKT-50, AKST-50		2000A
3000	AK-75		3000A
4000	AK-100		4000A

¹ For converting AK-2 version breakers and newer, not applicable for AK-1 or AKR

² Breakers equipped with older style open fuse lockout devices (OFLO), must be retrofitted with newer style OFLO device prior to conversion process.

Order replacement OFLO kits as follows: AKU-50 - order OFLO kit #121C287OG2,

AK-75 - order OFLO kit #121C287OG3, AK-100 - order OFLO kit #121C287OG4

³ Contact the factory for stationary breaker applications

ProTrip™ Conversion Kits

Frame Size (Amps)	Breaker Model	Wiring	Sensor Rating	Product Number	List Price GO-104P
225	AK-1-15	3 Wire	150A	PK115D3F0108	\$2550.00
225	AK-1-15	3 Wire	225A	PK115D3F0208	\$2550.00
225	AK-1-15	4 Wire	150A	PK115D4F0108	\$2775.00
225	AK-1-15	4 Wire	225A	PK115D4F0208	\$2775.00
225	AK-15	3 Wire	150A	PKO15D3F0108	\$2550.00
225	AK-15	3 Wire	225A	PKO15D3F0208	\$2550.00
225	AK-15	4 Wire	150A	PKO15D4F0108	\$2775.00
225	AK-15	4 Wire	225A	PKO15D4F0208	\$2775.00
600	AK-1-25	3 Wire	150A	PK125D3F0108	\$2550.00
600	AK-1-25	3 Wire	225A	PK125D3F0208	\$2550.00
600	AK-1-25	3 Wire	600A	PK125D3F0608	\$2550.00
600	AK-1-25	4 Wire	150A	PK125D4F0108	\$2775.00
600	AK-1-25	4 Wire	225A	PK125D4F0208	\$2775.00
600	AK-1-25	4 Wire	600A	PK125D4F0608	\$2775.00
600	AK-25, AKU-25	3 Wire	150A	PKO25D3F0108	\$2550.00
600	AK-25, AKU-25	3 Wire	225A	PKO25D3F0208	\$2550.00
600	AK-25, AKU-25	3 Wire	600A	PKO25D3F0608	\$2550.00
600	AK-25, AKU-25	4 Wire	150A	PKO25D4F0108	\$2775.00
600	AK-25, AKU-25	4 Wire	225A	PKO25D4F0208	\$2775.00
600	AK-25, AKU-25	4 Wire	600A	PKO25D4F0608	\$2775.00
1600	AK-1-50	3 Wire	800A	PK150D3F0808	\$2800.00
1600	AK-1-50	3 Wire	1600A	PK150D3F1608	\$2800.00
1600	AK-1-50	4 Wire	800A	PK150D4F0808	\$3025.00
1600	AK-1-50	4 Wire	1600A	PK150D4F1608	\$3025.00
1600	AK-50, AKU-50, AKT-50, AKS-50, AKSU-50, AKST-50	3 Wire	800A	PKO50D3F0808	\$2800.00
1600	AK-50, AKU-50, AKT-50, AKS-50, AKSU-50, AKST-50	3 Wire	1600A	PKO50D3F1608	\$2800.00
1600	AK-50, AKU-50, AKT-50, AKS-50, AKSU-50, AKST-50	3 Wire	2000A	PKO50D3F2008	\$2800.00
1600	AK-50, AKU-50, AKT-50, AKS-50, AKSU-50, AKST-50	4 Wire	800A	PKO50D4F0808	\$3025.00
1600	AK-50, AKU-50, AKT-50, AKS-50, AKSU-50, AKST-50	4 Wire	1600A	PKO50D4F1608	\$3025.00
1600	AK-50, AKU-50, AKT-50, AKS-50, AKSU-50, AKST-50	4 Wire	2000A	PKO50D4F2008	\$3025.00
3000	AK-75	3 Wire	3000A	PKO75D3F3008	\$2800.00
3000	AK-75	4 Wire	3000A	PKO75D4F3008	\$3025.00
4000	AK-100	3 Wire	4000A	PKO10D3F4008	\$3050.00
4000	AK-100	4 Wire	4000A	PKO10D4F4008	\$3275.00

Conversion kits come standard with a rating plug that matches the current sensor. For rating plugs with different values, price and order separately. See page 6-30.



Low Voltage Power and DC Circuit Breakers ProTrip™ Trip Unit Conversion Kit Selection Guide

For *I-T-E Circuit Breakers

Product Number Structure

PIK22		D	3	F	02	08	Trip Functions LSIGX- 08
Breaker							Trip Unit Functions
K225	PIK22 ¹						LSIGX- Long Time, Short Time/INST. and Switchable Ground Fault (off)
K600	PIK60 ¹						Not Approved for a UL Listed Breaker
KDON600							
K800	PIK80 ¹						
KDON800							
K1600 (black)	PIK1B ¹						
KDON1600 (black)							
K1600 (red)	PIK16 ^{1,2}						
KDON1600 (red)	PIKN ^{1,3}						
Model							
Generation-D							
Wiring							
3 Wire-3							
4 Wire-4							
Sensor Type							
Fixed CTs-F							

Sensor Rating	
150A- 01	
225A- 02	
400A- 04	
600A- 06	
800A- 08	
1600A- 16	

Sensor Rating Selection		
Frame	Breaker Product Numbers	Sensors
225	K225	150A, 225A
600	K600, KDON600	150A, 225A, 600A
800	K800, KDON800	150A, 400A, 800A
1600	K1600 (black), KDON1600 (black), K1600 (red), KDON1600 (red)	800A, 1600A

¹ Applicable to breakers originally equipped with either electro-mechanical trip devices or with solid state trip devices ("S" version breakers).

² Only applicable to breakers originally equipped with rectangular shaped primary disconnect assemblies.

³ Only applicable to breakers originally equipped with circular shaped primary disconnect assemblies.

ProTrip™ Conversion Kits

Frame Size (Amps)	Breaker Model	Wiring	Sensor Rating	Product Number	List Price GO-104P
225	K225	3 Wire	150A	PIK22D3F0108	\$2450.00
225	K225	3 Wire	225A	PIK22D3F0208	\$2450.00
225	K225	4 Wire	150A	PIK22D4F0108	\$2675.00
225	K225	4 Wire	225A	PIK22D4F0208	\$2675.00
600	K600, KDON600	3 Wire	150A	PIK60D3F0108	\$2350.00
600	K600, KDON600	3 Wire	225A	PIK60D3F0208	\$2350.00
600	K600, KDON600	3 Wire	600A	PIK60D3F0608	\$2350.00
600	K600, KDON600	4 Wire	150A	PIK60D4F0108	\$2575.00
600	K600, KDON600	4 Wire	225A	PIK60D4F0208	\$2575.00
600	K600, KDON600	4 Wire	600A	PIK60D4F0608	\$2575.00
800	K800, KDON800	3 Wire	150A	PIK80D3F0108	\$2350.00
800	K800, KDON800	3 Wire	400A	PIK80D3F0408	\$2350.00
800	K800, KDON800	3 Wire	800A	PIK80D3F0808	\$2350.00
800	K800, KDON800	4 Wire	150A	PIK80D4F0108	\$2575.00
800	K800, KDON800	4 Wire	400A	PIK80D4F0408	\$2575.00
800	K800, KDON800	4 Wire	800A	PIK80D4F0808	\$2575.00
1600	K1600 (black), KDON1600 (black)	3 Wire	800A	PIK16D3F0808	\$2700.00
1600	K1600 (black), KDON1600 (black)	3 Wire	1600A	PIK16D3F1608	\$2700.00
1600	K1600 (black), KDON1600 (black)	4 Wire	800A	PIK16D4F0808	\$2925.00
1600	K1600 (black), KDON1600 (black)	4 Wire	1600A	PIK16D4F1608	\$2925.00
1600	K1600 (red)	3 Wire	800A	PIK16D3F0808	\$2700.00
1600	K1600 (red)	3 Wire	1600A	PIK16D3F1608	\$2700.00
1600	K1600 (red)	4 Wire	800A	PIK16D4F0808	\$2925.00
1600	K1600 (red)	4 Wire	1600A	PIK16D4F1608	\$2925.00
1600	KDON1600 (red)	3 Wire	800A	PIKN1D3F0808	\$2700.00
1600	KDON1600 (red)	3 Wire	1600A	PIKN1D3F1608	\$2700.00
1600	KDON1600 (red)	4 Wire	800A	PIKN1D4F0808	\$2925.00
1600	KDON1600 (red)	4 Wire	1600A	PIKN1D4F1608	\$2925.00

Conversion kits come standard with a rating plug that matches the current sensor. For rating plugs with different values, price and order separately. See page 6-30.

*I-T-E is a registered trademark of Siemens Energy and Automation, Inc.



Publications and Reference: See Section 22 for a complete list of additional product-related publications

Low Voltage Power and DC Circuit Breakers ProTrip™ Trip Unit Conversion Kit Selection Guide

Section 6

For *Allis-Chalmers Circuit Breakers

Product Number Structure

		PSL6B	D	3	F	02	08		
Breaker								Trip Functions	
LA-600 (blue)	PSL6B							LSIGX- 08	Trip Unit Functions
LAF-600 (blue)									
LA-600 (gold)	PSL6G								LSIGX- Long Time, Short Time/INST. and Switchable Ground Fault (off)
LAF-600 (gold)									
LA-800 (gold)	PSL8O								Not Approved for a UL Listed Breaker
LAF-800 (gold)									
LA-1600 (blue)	PSL1B								
LAF-1600 (blue)									
LA-1600 (gold)	PSL1G								
LAF-1600 (gold)									
Model									
Generation-D									
Wiring									
3 Wire-3									
4 Wire-4									
Sensor Type									
Fixed CTs-F									

Sensor Rating	
150A-	01
225A-	02
400A-	04
600A-	06
800A-	08
1600A-	16

Sensor Rating Selection			
Frame	Breaker Product Numbers	Sensors	
600	LA-600 (blue), LAF-600 (blue)	150A, 225A, 600A	
	LA-600 (gold), LAF-600 (gold)		
800	LA-800 (gold), LAF-800 (gold)	150A, 400A, 800A	
1600	LA-1600 (blue), LAF-1600 (blue)	800A, 1600A	
	LA-1600 (gold), LAF-1600 (gold)		

ProTrip™ Conversion Kits

Frame Size (Amps)	Breaker Model	Wiring	Sensor Rating	Product Number	List Price GO-104P
600	LA-600 (blue), LAF-600 (blue)	3 Wire	150A	PSL6BD3F0108	\$2350.00
600	LA-600 (blue), LAF-600 (blue)	3 Wire	225A	PSL6BD3F0208	\$2350.00
600	LA-600 (blue), LAF-600 (blue)	3 Wire	600A	PSL6BD3F0608	\$2350.00
600	LA-600 (blue), LAF-600 (blue)	4 Wire	150A	PSL6BD4F0108	\$2575.00
600	LA-600 (blue), LAF-600 (blue)	4 Wire	225A	PSL6BD4F0208	\$2575.00
600	LA-600 (blue), LAF-600 (blue)	4 Wire	600A	PSL6BD4F0608	\$2575.00
600	LA-600 (gold), LAF-600 (gold)	3 Wire	150A	PSL6GD3F0108	\$2350.00
600	LA-600 (gold), LAF-600 (gold)	3 Wire	225A	PSL6GD3F0208	\$2350.00
600	LA-600 (gold), LAF-600 (gold)	3 Wire	600A	PSL6GD3F0608	\$2350.00
600	LA-600 (gold), LAF-600 (gold)	4 Wire	150A	PSL6GD4F0108	\$2575.00
600	LA-600 (gold), LAF-600 (gold)	4 Wire	225A	PSL6GD4F0208	\$2575.00
600	LA-600 (gold), LAF-600 (gold)	4 Wire	600A	PSL6GD4F0608	\$2575.00
800	LA-800 (gold)	3 Wire	150A	PSL80D3F0108	\$2500.00
800	LA-800 (gold)	3 Wire	400A	PSL80D3F0408	\$2500.00
800	LA-800 (gold)	3 Wire	800A	PSL80D3F0808	\$2500.00
800	LA-800 (gold)	4 Wire	150A	PSL80D4F0108	\$2725.00
800	LA-800 (gold)	4 Wire	400A	PSL80D4F0408	\$2725.00
800	LA-800 (gold)	4 Wire	800A	PSL80D4F0808	\$2725.00
1600	LA-1600 (blue), LAF-1600 (blue)	3 Wire	800A	PSL1BD3F0808	\$2700.00
1600	LA-1600 (blue), LAF-1600 (blue)	3 Wire	1600A	PSL1BD3F1608	\$2700.00
1600	LA-1600 (blue), LAF-1600 (blue)	4 Wire	800A	PSL1BD4F0808	\$2925.00
1600	LA-1600 (blue), LAF-1600 (blue)	4 Wire	1600A	PSL1BD4F1608	\$2925.00
1600	LA-1600 (gold), LAF-1600 (gold)	3 Wire	800A	PSL1GD3F0808	\$2700.00
1600	LA-1600 (gold), LAF-1600 (gold)	3 Wire	1600A	PSL1GD3F1608	\$2700.00
1600	LA-1600 (gold), LAF-1600 (gold)	4 Wire	800A	PSL1GD4F0808	\$2925.00
1600	LA-1600 (gold), LAF-1600 (gold)	4 Wire	1600A	PSL1GD4F1608	\$2925.00

Conversion kits come standard with a rating plug that matches the current sensor. For rating plugs with different values, price and order separately. See page 6-30.

*Allis-Chalmers is a trademark of Allis-Chalmers Manufacturing Company Corporation.

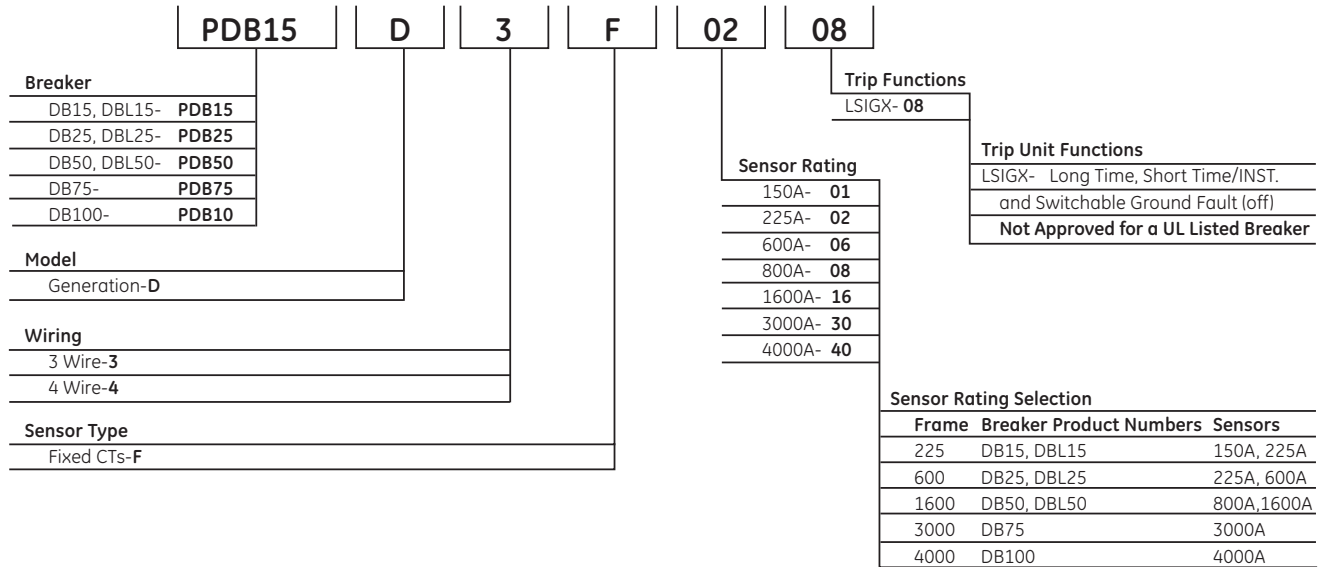


Low Voltage Power and DC Circuit Breakers ProTrip™ Trip Unit Conversion Kit Selection Guide

Section 6

For *Westinghouse Circuit Breakers

Product Number Structure



ProTrip™ Conversion Kits

Frame Size (Amps)	Breaker Model	Wiring	Sensor Rating	Product Number	List Price GO-104P
225	DB15, DBL15	3 Wire	150A	PDB15D3F0108	\$2250.00
225	DB15, DBL15	3 Wire	225A	PDB15D3F0208	\$2250.00
225	DB15, DBL15	4 Wire	150A	PDB15D4F0108	\$2475.00
225	DB15, DBL15	4 Wire	225A	PDB15D4F0208	\$2475.00
600	DB25, DBL25	3 Wire	150A	PDB25D3F0108	\$2350.00
600	DB25, DBL25	3 Wire	225A	PDB25D3F0208	\$2350.00
600	DB25, DBL25	3 Wire	600A	PDB25D3F0608	\$2350.00
600	DB25, DBL25	4 Wire	150A	PDB25D4F0108	\$2575.00
600	DB25, DBL25	4 Wire	225A	PDB25D4F0208	\$2575.00
600	DB25, DBL25	4 Wire	600A	PDB25D4F0608	\$2575.00
1600	DB50, DBL50	3 Wire	800A	PDB50D3F0808	\$2350.00
1600	DB50, DBL50	3 Wire	1600A	PDB50D3F1608	\$2350.00
1600	DB50, DBL50	4 Wire	800A	PDB50D4F0808	\$2575.00
1600	DB50, DBL50	4 Wire	1600A	PDB50D4F1608	\$2575.00
3000	DB75	3 Wire	3000A	PDB75D3F3008	\$2600.00
3000	DB75	4 Wire	3000A	PDB75D4F3008	\$2825.00
4000	DB100	3 Wire	4000A	PDB10D3F4008	\$2850.00
4000	DB100	4 Wire	4000A	PDB10D4F4008	\$3075.00

Conversion kits come standard with a rating plug that matches the current sensor. For rating plugs with different values, price and order separately. See page 6-30.

*Westinghouse is a trademark of Westinghouse Electric Corporation.



Publications and Reference: See Section 22 for a complete list of additional product-related publications

Low Voltage Power and DC Circuit Breakers ProTrip™ Rating Plugs

Section 6

ProTrip™ conversion kits come standard with a rating plug that matches the current sensor. For rating plugs with different values, price and order separately.

Reference Publications

ProTrip™ Trip Unit Conversion Kits for GE Power Circuit Breakers - Fact Sheet	DET-228
ProTrip™ Trip Unit Conversion Kits for *Westinghouse Power Circuit Breakers - Fact Sheet	DET-230
ProTrip™ Trip Unit Conversion Kits for *Allis-Chalmers Power Circuit Breakers - Fact Sheet	DET-231
ProTrip™ Trip Unit Conversion Kits for *I-T-E Power Circuit Breakers - Fact Sheet	DET-229



Rating Plug

Rating Plugs

Frame Size (Amps)	Sensor Rating (Amps)	Current Rating (Amps)	Current Range (Amps)	Product Number	List Price GO-104P
225 600 800	150	80	40-88	PT1C80GFD	\$149.00
225 600 800	150	100	50-110	PT1C100GFD	\$149.00
225 600 800	150	125	63-138	PT1C125GFD	\$149.00
225 600 800	150	150	75-165	PT1C150GFD ¹	\$149.00
225 600 800	225	150	75-165	PT225C150GFD	\$149.00
225 600 800	225	225	113-248	PT225C225GFD ¹	\$149.00
600	600	300	150-330	PT6C300GFD	\$149.00
600	600	400	200-440	PT6C400GFD	\$149.00
600	600	450	225-495	PT6C450GFD	\$149.00
600	600	500	250-550	PT6C500GFD	\$149.00
600	600	600	300-660	PT6C600GFD ¹	\$149.00
800	400	200	100-220	PT4C200GFD	\$149.00
800	400	225	113-248	PT4C225GFD	\$149.00
800	400	250	125-275	PT4C250GFD	\$149.00
800	400	300	150-330	PT4C300GFD	\$149.00
800	400	400	200-440	PT4C400GFD ¹	\$149.00
800 1600	800	400	200-440	PT8C400GFD	\$149.00
800 1600	800	450	225-495	PT8C450GFD	\$149.00
800 1600	800	500	250-550	PT8C500GFD	\$149.00
800 1600	800	600	300-660	PT8C600GFD	\$149.00
800 1600	800	700	350-770	PT8C700GFD	\$149.00
800 1600	800	800	400-880	PT8C800GFD ¹	\$149.00
1600	1600	800	400-880	PT16C800GFD	\$149.00
1600	1600	1000	500-1100	PT16C1000GFD	\$149.00
1600	1600	1100	550-1210	PT16C1100GFD	\$149.00
1600	1600	1200	600-1320	PT16C1200GFD	\$149.00
1600	1600	1600	800-1760	PT16C1600GFD	\$149.00
2000	2000	1000	500-1100	PT20C1000GFD	\$149.00
2000	2000	1200	600-1320	PT20C1200GFD	\$149.00
2000	2000	1500	750-1650	PT20C1500GFD	\$149.00
2000	2000	1600	800-1760	PT20C1600GFD	\$149.00
2000	2000	2000	1000-2200	PT20C2000GFD	\$149.00
3000	3000	1200	600-1320	PT30C1200GFD	\$149.00
3000	3000	1600	800-1760	PT30C1600GFD	\$149.00
3000	3000	2000	1000-2200	PT30C2000GFD	\$149.00
3000	3000	2500	1250-2750	PT30C2500GFD	\$149.00
3000	3000	3000	1500-3300	PT30C3000GFD ¹	\$149.00
4000	4000	1600	800-1760	PT40C1600GFD	\$149.00
4000	4000	2000	1000-2200	PT40C2000GFD	\$149.00
4000	4000	2500	1250-2750	PT40C2500GFD	\$149.00
4000	4000	3000	1500-3300	PT40C3000GFD	\$149.00
4000	4000	3600	1800-3960	PT40C3600GFD	\$149.00
4000	4000	4000	2000-4000	PT40C4000GFD ¹	\$149.00

¹Rating Plug furnished with conversion kit.

Note: Long Time pickup range is 0.5-1.1 times the rating plug value. 1.1 setting allows the breaker to carry 100% of the rating plug current value, not to exceed the continuous current (frame) rating of the breaker.

*I-T-E is a registered trademark of Siemens Energy and Automation, Inc.

*Westinghouse is a trademark of Westinghouse Electric Corporation.

*Allis-Chalmers is a trademark of Allis-Chalmers Manufacturing Company Corporation.



Low Voltage Power and DC Circuit Breakers

MicroVersaTrip® Plus and MicroVersaTrip® PM Trip Unit

Conversion Kits Selection Guide

For GE Power Circuit Breakers

Product Number Structure

AKO25 C 3 F 06 02 PM

Breaker Model

AK-1-15	= AK115
AK-15	= AK015 ¹
AK-1-25	= AK125
AK-25	= AK025 ¹
AKU-25	= AK025 ¹
AKR-30	= AKR30
AKR-30H	= AKR30
AKRU-30	= AKR30
AKR-30S	= AKR3S ^{2,3}
AKRU-30S	= AKR3S ^{2,3}
AK-1-50	= AK150
AK-50	= AK050 ¹
AKU-50 ⁴	= AK050 ¹
AKT-50	= AK050 ¹
AKS-50	= AK050 ¹
AKSU-50 ⁴	= AK050 ¹
AKST-50	= AK050 ¹
AKR-50	= AKR50 ⁵
AKR-50H	= AKR50 ⁵
AKRU-50	= AKR50 ⁵
AKRT-50H	= AKR50 ⁵
AKU-50	= AKR50 ⁵
AKJ-50H	= AKR50 ⁵
AKJT-50	= AKR50 ⁵
AKJT-50H	= AKR50 ⁵
AK-75 ⁴	= AK075 ⁶
AKR-75	= AKR75 ⁶
AK-100 ⁴	= AK010 ⁶
AKR-100	= AKR10 ⁶
AKW-100	= AW10 ⁶

Model

C = Generation

Wiring

3 Wire = 3

4 Wire⁷ = 4

Sensor Type

F = Fixed CTs

Sensor Rating Selection

Frame Size	Breaker Product Numbers	Sensors
225	AK-1-15	150A
	AK-15	225A
600	AK-1-25	225A
	AK-25	600A
	AKR-30, AKR-30H	150A
	AKRU-30	400A
800	AKR-30S, AKRU-30S	800A
	AKR-50, AK-50, AKU-50, AKS-50, AKSU-50	800A
	AKR-50, AKR-50H, AKRU-50	800A
1600	AK-1-50, AK-50, AKU-50, AKS-50, AKSU-50	800A
	AKR-50, AKR-50H, AKRU-50	1600A
2000	AKT-50, AKST-50, AKRT-50, AKRT-50H	2000A
	AKJT-50, AKJT-50H	2000A
3000	AK-75	3000A
3200	AKR-75	3200A
4000	AK-100, AKR-100, AKW-100	4000A

Sensor Rating

150A	= 01
noCT ⁸	= XA
225A	= 02
400A	= 04
noCT ⁸	= XC
600A	= 06
800A	= 08
noCT ⁸	= XE
1600A	= 16
noCT ⁸	= XF
2000A	= 20
noCT ⁸	= XG
3000A	= 30
3200A ⁹	= 32
noCT ^{8,9}	= XI
4000A	= 40
noCT ⁸	= XJ

Trip Functions

LI	= 02
LIG	= 03
LSI	= 04
LSIG	= 05
LS	= 06
LSG	= 07
LSIGX	= 08
LSH ²	= 11
LSHG ²	= 12

Options

Blank = MVT Plus

M = MVT PM Metering & Communication

PM = MVT PM Metering, Communication & Protective Relaying

Trip Unit Functions

LI	Long Time & Instantaneous
LIG	Long Time, Instantaneous & Ground Fault
LSI	Long Time, Short Time & Instantaneous
LSIG	Long Time, Short Time, Instantaneous & Ground Fault
LS	Long Time, Short Time
LSG	Long Time, Short Time & Ground Fault
LSIGX	Long Time, Short Time/Inst. & Switchable Ground Fault (off) not approved for a UL Listed breaker
LSH	Long Time, Short Time & High-Range Instantaneous
LSHG	Long Time, Short Time, High-Range Instantaneous & Ground Fault

- ¹For converting AK-2 version breakers and newer, not applicable for AK-1 or AKR.
- ²High range instantaneous trip function option (H) only available for AKR3S conversion kits.
- ³Requires INST function (I) or (H) 22kA w/o INST @ 480V 30kA w/ INST @ 480V.
- ⁴Breakers equipped with older style open fuse lockout devices (OFLO), must be retrofitted with newer style OFLO device prior to conversion process. Order replacement OFLO kits as follows: AKU-50—order OFLO kit #121C2870G2, AK-75—order OFLO kit #121C2870G3, AK-100—order OFLO kit #121C2870G4.
- ⁵Not applicable for converting breakers equipped with Power Sensor—contact factory.
- ⁶Contact the factory for stationary breaker applications.
- ⁷Only applicable to trip units with ground fault.
- ⁸Available only for MicroVersaTrip® RMS-9 type AKR breakers equipped with fixed current sensors.
- ⁹Only available on AKR-75 breaker frames.

Price Selection

Select the desired product number from the chart above. Match the product prefix with the product numbers in the first column of the 3-wire or 4-wire table. Select the options column that matches the product suffix chosen. The list price is found in the intersecting box.

Kits Without Sensors

For kits ordered without sensors, **deduct \$450.00** from the **list price** of the kit with sensors. Please refer to the sensor rating column above for the appropriate "X" sensor code.

MicroVersaTrip® Trip Unit Conversion Kits for 3-Phase, 3-Wire, List Price, GO-104B

Product Number	MicroVersaTrip® Plus										MicroVersaTrip® PM Metering & Communication								
	02	03	04	05	06	07	08	11	12	02M	03M	04M	05M	06M	07M	08M	11M	12M	
AKO15C3F01																			
AKO15C3F02																			
AK115C3F01																			
AK115C3F02	\$2920	\$3350	\$3040	\$3470	\$3040	\$3470	\$4015	\$3590	\$3890										
AKO25C3F02								AKR3S KITS ONLY	AKR3S KITS ONLY										
AKO25C3F06																			
AK125C3F02																			
AK125C3F06																			
AKR30C3F01																			
AKR30C3F04																			
AKR30C3F08																			
AKR35C3F01																			
AKR35C3F04																			
AKR35C3F08																			
AKR35C3F08	\$3070	\$3500	\$3190	\$3620	\$3190	\$3620	\$4165	—	—										
AK150CF16																			
AK150C3F16																			
AKO50C3F08																			
AKO50C3F16																			
AKR50C3F08																			
AKR50C3F16																			
AKO50C3F20																			
AKR50C3F20																			
AKO75C3F30																			
AKR75C3F32	\$3220	\$3650	\$3340	\$3770	\$3340	\$3770	\$4315	—	—										
AKO10C3F40																			
AKR10C3F40																			
AKW10C3F40																			

Conversion kits come standard with a rating plug that matches the current sensor. For rating plugs with different values, price and order separately. See page 6-39.



Publications and Reference: See Section 22 for a complete list of additional product-related publications

Low Voltage Power and DC Circuit Breakers MicroVersaTrip® Plus and MicroVersaTrip® PM Trip Unit Conversion Kits Selection Guide

Section 6

For GE Power Circuit Breakers

MicroVersaTrip® Conversion Kits for 3-Phase, 3-Wire

Product Number	MicroVersaTrip® PM Metering, Communication & Protective Relay List Price, GO-104B								
	02PM	03PM	04PM	05PM	06PM	07PM	08PM	11PM	12PM
AKO15C3F01									
AKO15C3F02									
AK115C3F01									
AK115C3F02	\$5120	\$5550	\$5240	\$5670	\$5240	\$5670	\$6215	\$5790	\$6090
AKO25C3F02								AKR3S KITS ONLY	AKR3S KITS ONLY
AKO25C3F06									
AK125C3F02									
AK125C3F06									
AKR30C3F01									
AKR30C3F04									
AKR30C3F08									
AKR35C3F01									
AKR35C3F04									
AKR35C3F08									
AKR35C3F08	\$5270	\$5700	\$5390	\$5820	\$5390	\$5820	\$6365	—	—
AK150CF16									
AK150C3F16									
AKO50C3F08									
AKO50C3F16									
AKR50C3F08									
AKR50C3F16									
AKO50C3F20									
AKR50C3F20									
AKO75C3F30									
AKR75C3F32	\$5420	\$5850	\$5540	\$5970	\$5540	\$5970	\$6515	—	—
AKO10C3F40									
AKR10C3F40									
AKW10C3F40									

MicroVersaTrip® Conversion Kits for 3-Phase, 4-Wire

Product Number	MicroVersaTrip® Plus List Price, GO-104B				
	03	05	07	08	12
AKO15C4F01					
AKO15C4F02					
AK115C4F01					
AK115C4F02	\$3575	\$3695	\$3695	\$4240	\$4545
AKO25C4F02					AKR3S KITS ONLY
AKO25C4F06					
AK125C4F02					
AK125C4F06					
AKR30C4F01					
AKR30C4F04					
AKR30C4F08					
AKR35C4F01					
AKR35C4F04					
AKR35C4F08					
AKR35C4F08	\$3725	\$3845	\$3845	\$4390	—
AK150C4F08					
AK150C4F16					
AKO50C4F08					
AKO50C4F16					
AKR50C4F08					
AKR50C4F16					
AKO50C4F20					
AKR50C4F20					
AKO75C4F30					
AKR75C4F32	\$3875	\$3995	\$3995	\$4540	—
AKO10C4F40					
AKR10C4F40					
AKW10C4F40					

MicroVersaTrip® Conversion Kits for 3-Phase, 4-Wire

Product Number	MicroVersaTrip® PM Metering & Communication List Price, GO-104B				
	03M	05M	07M	08M	12M
AKO15C4F01					
AKO15C4F02					
AK115C4F01					
AK115C4F02	\$5075	\$5195	\$5195	\$5740	\$6045
AKO25C4F02					AKR3S KITS ONLY
AKO25C4F06					
AK125C4F02					
AK125C4F06					
AKR30C4F01					
AKR30C4F04					
AKR30C4F08					
AKR35C4F01					
AKR35C4F04					
AKR35C4F08					
AKR35C4F08	\$5225	\$5345	\$5345	\$5890	—
AK150C4F08					
AK150C4F16					
AKO50C4F08					
AKO50C4F16					
AKR50C4F08					
AKR50C4F16					
AKO50C4F20					
AKR50C4F20					
AKO75C4F30					
AKR75C4F32	\$5375	\$5495	\$5495	\$6040	—
AKO10C4F40					
AKR10C4F40					
AKW10C4F40					

Product Number	MicroVersaTrip® PM Metering, Communication & Protective Relay List Price, GO-104B				
	03PM	05PM	07PM	08PM	12PM
AKO15C4F01					
AKO15C4F02					
AK115C4F01					
AK115C4F02	\$5775	\$5895	\$5895	\$6440	\$6745
AKO25C4F02					AKR3S KITS ONLY
AKO25C4F06					
AK125C4F02					
AK125C4F06					
AKR30C4F01					
AKR30C4F04					
AKR30C4F08					
AKR35C4F01					
AKR35C4F04					
AKR35C4F08					
AKR35C4F08	\$5925	\$6045	\$6045	\$6590	—
AK150C4F08					
AK150C4F16					
AKO50C4F08					
AKO50C4F16					
AKR50C4F08					
AKR50C4F16					
AKO50C4F20					
AKR50C4F20					
AKO75C4F30					
AKR75C4F32	\$6075	\$6195	\$6195	\$6740	—
AKO10C4F40					
AKR10C4F40					
AKW10C4F40					

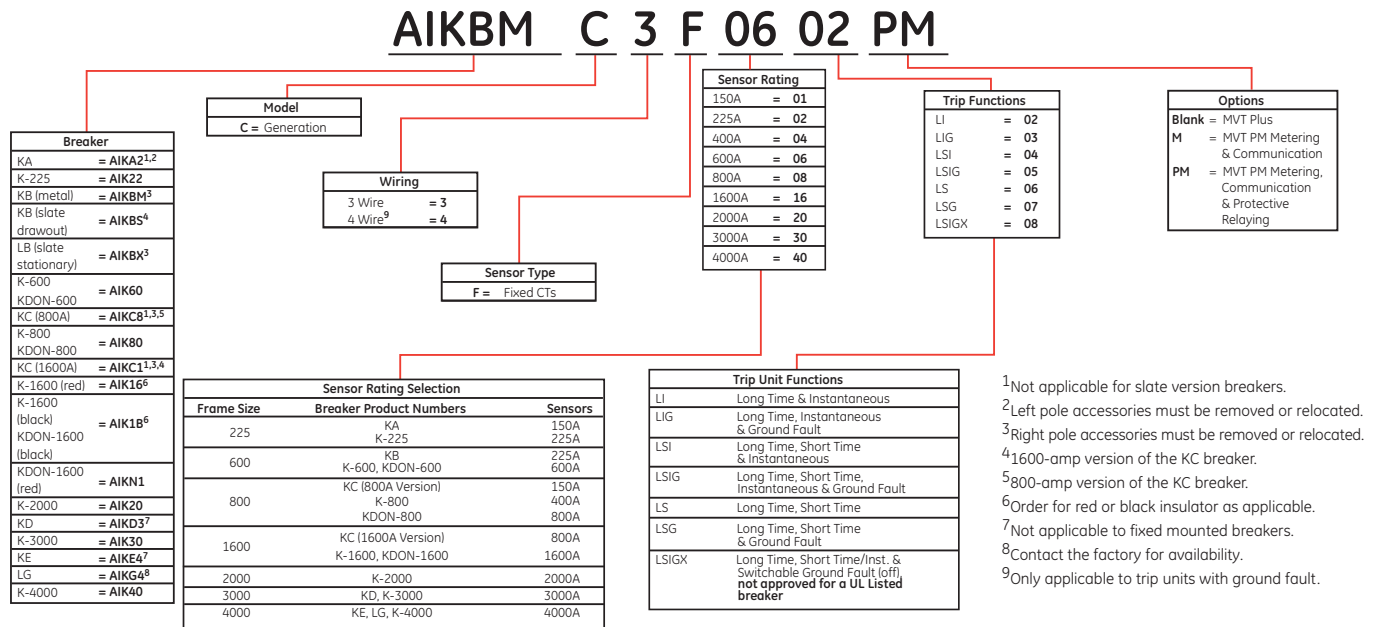
Conversion kits come standard with a rating plug that matches the current sensor. For rating plugs with different values, price and order separately. See page 6-39.



Low Voltage Power and DC Circuit Breakers MicroVersaTrip® Plus and MicroVersaTrip® PM Trip Unit Conversion Kits Selection Guide

For *I-T-E Power Circuit Breakers

Product Number Structure



MicroVersaTrip® Trip Unit Conversion Kits for *I-T-E Power Circuit Breakers, 3-Phase, 3-Wire

Product Number	MicroVersaTrip® Plus List Price, GO-1048						
	02	03	04	05	06	07	08
AIKA2C3F01							
AIKA2C3F02							
AIK22C3F01							
AIK22C3F02							
AIKBSC3F02							
AIKBSC3F06	\$2820	\$3250	\$2940	\$3370	\$2940	\$3370	\$3915
AIKBXC3F02							
AIKBXC3F06							
AIKBMC3F02							
AIKBMC3F06							
AIK60C3F02							
AIK60C3F06							
AIKC8C3F01							
AIKC8C3F04							
AIKC8C3F08							
AIK80C3F01							
AIK80C3F04							
AIK80C3F08							
AIKC1C3F08	\$2970	\$3400	\$3090	\$3520	\$3090	\$3520	\$4065
AIKC1C3F16							
AIK16C3F08							
AIK16C3F16							
AIKN1C3F08							
AIKN1C3F16							
AIK1BC3F08							
AIK1BC3F16							
AIK20C3F20							
AIKD3C3F30							
AIK30C3F30	\$3420	\$3850	\$3540	\$3970	\$3540	\$3970	\$4515
AIKE4C3F40							
AIKG4C3F40							
AIK40C3F40							

Price Selection

Select the desired product number from the chart above. Match the product prefix with the product numbers in the first column of the 3-wire or 4-wire table. Select the options column that matches the product suffix chosen. The list price is found in the intersecting box.

Conversion kits come standard with a rating plug that matches the current sensor. For rating plugs with different values, price and order separately. See page 6-39.

*I-T-E is a registered trademark of Siemens Energy and Automation, Inc.



Publications and Reference: See Section 22 for a complete list of additional product-related publications

Low Voltage Power and DC Circuit Breakers MicroVersaTrip® Plus and MicroVersaTrip® PM Trip Unit Conversion Kits Selection Guide

Section 6

MicroVersaTrip® Trip Unit Conversion Kits for *I-T-E Power Circuit Breakers, 3-Phase, 3-Wire Continued

Product Number	MicroVersaTrip® PM Metering & Communication List Price, GO-104B							Product Number	MicroVersaTrip® PM Metering, Communication & Protective Relay List Price, GO-104B						
	02M	03M	04M	05M	06M	07M	08M		02PM	03PM	04PM	05PM	06PM	07PM	08PM
AIKA2C3F01								AIKA2C3F01							
AIKA2C3F02								AIKA2C3F02							
AIK22C3F01								AIK22C3F01							
AIK22C3F02								AIK22C3F02							
AIKBSC3F02								AIKBSC3F02							
AIKBSC3F06	\$4320	\$4750	\$4440	\$4870	\$4440	\$4870	\$5415	AIKBSC3F06	\$5020	\$5450	\$5140	\$5570	\$5140	\$5570	\$6115
AIKBXC3F02								AIKBXC3F02							
AIKBXC3F06								AIKBXC3F06							
AIKBMC3F02								AIKBMC3F02							
AIKBMC3F06								AIKBMC3F06							
AIK60C3F02								AIK60C3F02							
AIK60C3F06								AIK60C3F06							
AIK8C3F01								AIK8C3F01							
AIK8C3F04								AIK8C3F04							
AIK8C3F08								AIK8C3F08							
AIK80C3F01								AIK80C3F01							
AIK80C3F04								AIK80C3F04							
AIK80C3F08								AIK80C3F08							
AIKC1C3F08	\$4470	\$4900	\$4590	\$5020	\$4590	\$5020	\$5565	AIKC1C3F08	\$5170	\$5600	\$5290	\$5720	\$5290	\$5720	\$6265
AIKC1C3F16								AIKC1C3F16							
AIK16C3F08								AIK16C3F08							
AIK16C3F16								AIK16C3F16							
AIKN1C3F08								AIKN1C3F08							
AIKN1C3F16								AIKN1C3F16							
AIK1BC3F08								AIK1BC3F08							
AIK1BC3F16								AIK1BC3F16							
AIK20C3F20								AIK20C3F20							
AIKD3C3F30								AIKD3C3F30							
AIK30C3F30	\$4920	\$5350	\$5040	\$5470	\$5040	\$5470	\$6015	AIK30C3F30	\$5620	\$6050	\$5740	\$6170	\$5740	\$6170	\$6715
AIKE4C3F40								AIKE4C3F40							
AIKG4C3F40								AIKG4C3F40							
AIK40C3F40								AIK40C3F40							

MicroVersaTrip® Conversion Kits for 3-Phase, 4-Wire

Product Number	MicroVersaTrip® Plus List Price, GO-104B				MicroVersaTrip® PM Metering & Communication List Price, GO-104B				MicroVersaTrip® PM Metering, Communication & Protective Relay List Price, GO-104B			
	03	05	07	08	03M	05M	07M	08M	03PM	05PM	07PM	08PM
AIKA2C4F01												
AIKA2C4F02												
AIK22C4F01												
AIK22C4F02												
AIKBSC4F02												
AIKBSC4F06	\$3475	\$3595	\$3595	\$4140	\$4975	\$5095	\$5095	\$5640	\$5675	\$5795	\$5795	\$6340
AIKBXC4F02												
AIKBXC4F06												
AIKBMC4F02												
AIKBMC4F06												
AIK60C4F02												
AIK60C4F06												
AIKC8C4F01												
AIKC8C4F04												
AIKC8C4F08												
AIK80C4F01												
AIK80C4F04												
AIK80C4F08												
AIKC1C4F08	\$3625	\$3745	\$3745	\$4290	\$5125	\$5245	\$5245	\$5790	\$5825	\$5945	\$5945	\$6490
AIKC1C4F16												
AIK16C4F08												
AIK16C4F16												
AIKN1C4F08												
AIKN1C4F16												
AIK1BC4F08												
AIK1BC4F16												
AIK20C4F20												
AIKD3C4F30												
AIK30C4F30	\$4075	\$4195	\$4195	\$4740	\$5575	\$5695	\$5695	\$6240	\$6275	\$6395	\$6395	\$6940
AIKE4C4F40												
AIKG4C4F40												
AIK40C4F40												

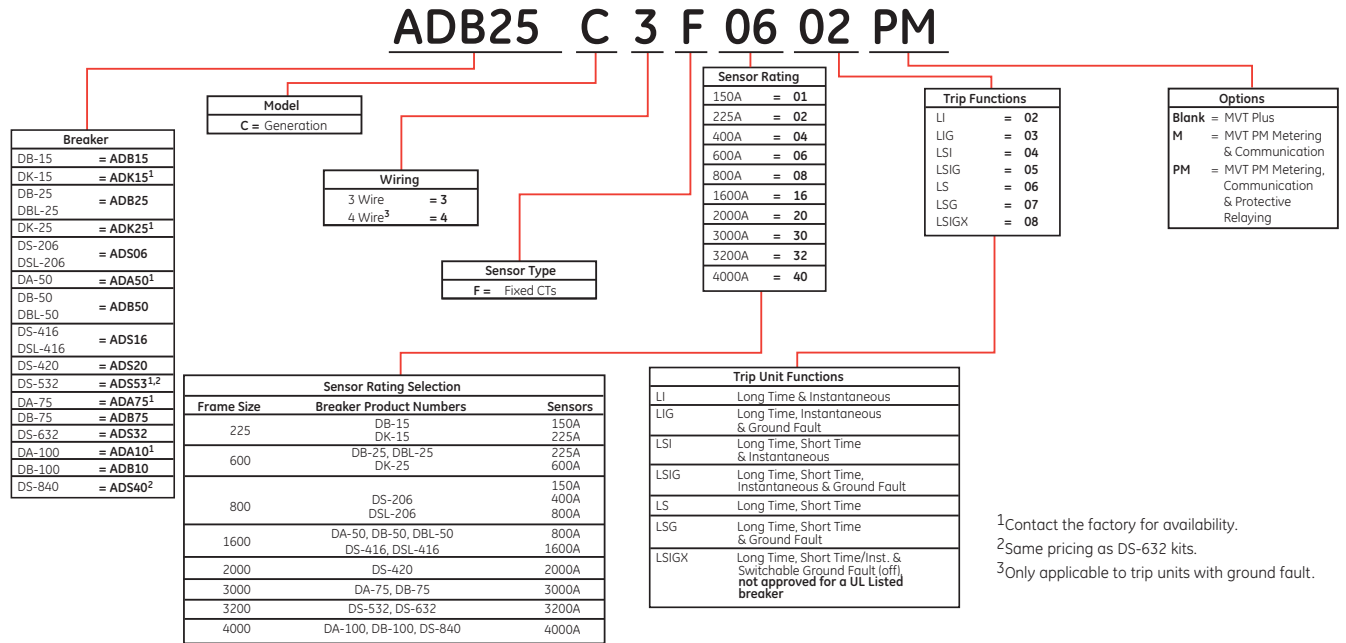
Conversion kits come standard with a rating plug that matches the current sensor. For rating plugs with different values, price and order separately. See page 6-39.
*I-T-E is a registered trademark of Siemens Energy and Automation, Inc.



Low Voltage Power and DC Circuit Breakers MicroVersaTrip® Plus and MicroVersaTrip® PM Trip Unit Conversion Kits Selection Guide

For *Westinghouse Power Circuit Breakers

Product Number Structure



MicroVersaTrip® Trip Unit Conversion Kits for *Westinghouse Power Circuit Breakers, 3-Phase, 3-Wire

Product Number	MicroVersaTrip® Plus List Price, GO-104B						
	02	03	04	05	06	07	08
ADB15C3F01							
ADB15C3F02							
ADK15C3F01							
ADK15C3F02							
ADB25C3F02	\$2820	\$3250	\$2940	\$3370	\$2940	\$3370	\$3915
ADB25C3F06							
ADK25C3F02							
ADK25C3F06							
ADS06C3F01							
ADS06C3F04							
ADS06C3F08							
ADA50C3F08							
ADA50C3F16	\$2970	\$3400	\$3090	\$3520	\$3090	\$3520	\$4065
ADB50C3F08							
ADB50C3F16							
ADS16C3F08							
ADS16C3F16							
ADS20C3F20							
ADA75C3F30							
ADB75C3F30							
ADS32C3F32	\$3420	\$3850	\$3540	\$3970	\$3540	\$3970	\$4515
ADA10C3F40							
ADB10C3F40							
ADS40C3F40							

Price Selection

Select the desired product number from the chart above. Match the product prefix with the product numbers in the first column of the 3-wire or 4-wire table. Select the options column that matches the product suffix chosen. The list price is found in the intersecting box.

Conversion kits come standard with a rating plug that matches the current sensor.
For rating plugs with different values, price and order separately. See page 6-39.

*Westinghouse is a trademark of Westinghouse Electric Corporation.



Publications and Reference: See Section 22 for a complete list of additional product-related publications

Low Voltage Power and DC Circuit Breakers MicroVersaTrip® Plus and MicroVersaTrip® PM Trip Unit Conversion Kits Selection Guide

Section 6

MicroVersaTrip® Trip Unit Conversion Kits for *Westinghouse Power Circuit Breakers, 3-Phase, 3-Wire Continued

Product Number	MicroVersaTrip® PM Metering & Communication List Price, GO-104B							Product Number	MicroVersaTrip® PM Metering, Communication & Protective Relay List Price, GO-104B						
	02M	03M	04M	05M	06M	07M	08M		02PM	03PM	04PM	05PM	06PM	07PM	08PM
ADB15C3F01	\$4320	\$4750	\$4440	\$4870	\$4440	\$4870	\$5415	ADB15C3F01	\$5020	\$5450	\$5140	\$5570	\$5140	\$5570	\$6115
ADB15C3F02															
ADK15C3F01															
ADK15C3F02															
ADB25C3F02															
ADB25C3F06															
ADK25C3F02															
ADK25C3F06															
ADS06C3F01	\$4470	\$4900	\$4590	\$5020	\$4590	\$5020	\$5565	ADS06C3F01	\$5170	\$5600	\$5290	\$5720	\$5290	\$5720	\$6265
ADS06C3F04															
ADS06C3F08															
ADA50C3F08															
ADA50C3F16															
ADB50C3F08															
ADB50C3F16															
ADS16C3F08															
ADS16C3F16															
ADS20C3F20	\$4920	\$5350	\$5040	\$5470	\$5040	\$5470	\$6015	ADS20C3F20	\$5620	\$6050	\$5740	\$6170	\$5740	\$6170	\$6715
ADA75C3F30															
ADB75C3F30															
ADS32C3F32															
ADA10C3F40															
ADB10C3F40															
ADS40C3F40															
ADA75C3F30															
ADB75C3F30															
ADS32C3F32															
ADA10C3F40															
ADB10C3F40															
ADS40C3F40															

MicroVersaTrip® Conversion Kits for 3-Phase, 4-Wire

Product Number	MicroVersaTrip® Plus List Price, GO-104B				MicroVersaTrip® PM Metering & Communication List Price, GO-104B				MicroVersaTrip® PM Metering, Communication & Protective Relay List Price, GO-104B			
	03	05	07	08	03M	05M	07M	08M	03PM	05PM	07PM	08PM
ADB15C4F01	\$3475	\$3595	\$3595	\$4140	\$4975	\$5095	\$5095	\$5640	\$5675	\$5795	\$5795	\$6340
ADB15C4F02												
ADK15C4F01												
ADK15C4F02												
ADB25C4F02												
ADB25C4F06												
ADK25C4F02												
ADK25C4F06												
ADS06C4F01	\$3625	\$3745	\$3745	\$4290	\$5125	\$5245	\$5245	\$5790	\$5825	\$5945	\$5945	\$6490
ADS06C4F04												
ADS06C4F08												
ADA50C4F08												
ADA50C4F16												
ADB50C4F08												
ADB50C4F16												
ADS16C4F08												
ADS16C4F16												
ADS20C4F20	\$4075	\$4195	\$4195	\$4740	\$5575	\$5695	\$5695	\$6240	\$6275	\$6395	\$6395	\$6940
ADA75C4F30												
ADB75C4F30												
ADS32C4F32												
ADA10C4F40												
ADB10C4F40												
ADS40C4F40												
ADA75C4F30												
ADB75C4F30												
ADS32C4F32												
ADA10C4F40												
ADB10C4F40												
ADS40C4F40												

Conversion kits come standard with a rating plug that matches the current sensor. For rating plugs with different values, price and order separately. See page 6-39.

*Westinghouse is a trademark of Westinghouse Electric Corporation.



Low Voltage Power and DC Circuit Breakers MicroVersaTrip® Plus and MicroVersaTrip® PM Trip Unit Conversion Kits Selection Guide

For *Allis-Chalmers Power Circuit Breakers
Product Number Structure

ASL6B C 3 F 06 02 PM

Breaker	Model	Wiring	Sensor Type	Sensor Rating	Trip Functions	Options
LA = ASL25 ¹	C = Generation	3 Wire = 3 4 Wire ⁹ = 4	F = Fixed CTs	150A = 01 225A = 02 400A = 04 600A = 06 800A = 08 1600A = 16 2000A = 20 3000A = 30 3200A = 32 4000A = 40	LI = 02 LIG = 03 LSI = 04 LSIG = 05 LS = 06 LSG = 07 LSIGX = 08	Blank = MVT Plus M = MVT PM Metering & Communication PM = MVT PM Metering, Communication & Protective Relaying

Sensor Rating Selection		
Frame	Breaker Product Numbers	Sensors
225	Frame Rating not presently available	150A 225A
600	LA, LA-25, LA-25A LA-600, LAF-600	150, 225A 600A
800	LA-50(800A Version) LA-800, LAF-800 RL-800, RLE-800, RLX-800	150A 400A 800A
1600	LA-50(1600A Version) LA-1600, LAF-1600 RL-1600, RLE-1600, RLX-1600	800A 1600A
2000	RL-2000	2000A
3000	LA-75, LA-3000	3000A
3200	LA-3200, RL-3200	3200A
4000	LA-4000, RL-4000	4000A

Trip Unit Functions	
LI	Long Time & Instantaneous
LIG	Long Time, Instantaneous & Ground Fault
LSI	Long Time, Short Time & Instantaneous
LSIG	Long Time, Short Time Instantaneous & Ground Fault
LS	Long Time, Short Time
LSG	Long Time, Short Time & Ground Fault
LSIGX	Long Time, Short Time/Inst. & Switchable Ground Fault (off), not approved for a UL Listed breaker

Definitions:

- Blue = Blue-Gray color version breaker with plastic escutcheon.
- Gold = Gold color version breaker with metal escutcheon.
- ¹Contact factory for availability.
- ²Only applicable for Blue-Gray color version breakers.
- ³Applicable to both "A" and "B" version breakers.
- ⁴Applicable to both nameplated versions of integral fused breakers (i.e. LA-600F and LAF-600).
- ⁵Only applicable for Gold color version breakers.
- ⁶800-amp version of the LA-50 breaker.
- ⁷Only applicable for 1600-amp, 6-pole primary disconnect version of the LA-50 breaker.
- ⁸Only applicable for 1600-amp, 12-pole primary disconnect version of the LA-50 breaker.
- ⁹Only applicable to trip units with ground fault.

Price Selection

For the desired product number from the chart above. Match the product prefix with the product numbers in the first column of the 3-wire or 4-wire table. Select the options column that matches the product suffix chosen. The list price is found in the intersecting box.

Kits Without Sensors

For kits ordered without sensors, deduct \$450.00 from the list price of the kit with sensors. Please refer to the sensor rating column above for the appropriate "X" sensor code.

MicroVersaTrip® Trip Unit Conversion Kits for 3-Phase, 3-Wire

Product Number	MicroVersaTrip® Plus List Price, GO-104B							
	02	03	04	05	06	07	08	
ASL25C3F01								
ASL25C3F02								
ASL25C3F06								
ASL2AC3F01								
ASL2AC3F02								
ASL2AC3F06	\$2820	\$3250	\$2940	\$3370	\$2940	\$3370	\$3915	
ASL6BC3F01								
ASL6BC3F02								
ASL6BC3F06								
ASL6GC3F01								
ASL6GC3F02								
ASL6GC3F06								
ASL58C3F01								
ASL58C3F04								
ASL58C3F08								
ASL80C3F01								
ASL80C3F04								
ASL80C3F08								
ASR80C3F01								
ASR80C3F04								
ASR80C3F08								
ASL51C3F08	\$2970	\$3400	\$3090	\$3520	\$3090	\$3520	\$4065	
ASL51C3F16								
ASL52C3F08								
ASL52C3F16								
ASL1BC3F08								
ASL1BC3F16								
ASL1GC3F08								
ASL1GC3F16								
ASR16C3F08								
ASR16C3F16								
ASR0C3F20								
ASL75C3F30								
ASL30C3F30								
ASL3BC3F32								
ASL3GC3F32	\$3420	\$3850	\$3540	\$3970	\$3540	\$3970	\$4515	
ASR32C3F32								
ASL4BC3F40								
ASL4GC3F40								
ASR40C3F40								

Product Number	MicroVersaTrip® PM Metering & Communication List Price, GO-104B							
	02M	03M	04M	05M	06M	07M	08M	
ASL25C3F01								
ASL25C3F02								
ASL25C3F06								
ASL2AC3F01								
ASL2AC3F02								
ASL2AC3F06	\$4320	\$4750	\$4440	\$4870	\$4440	\$4870	\$5415	
ASL6BC3F01								
ASL6BC3F02								
ASL6BC3F06								
ASL6GC3F01								
ASL6GC3F02								
ASL6GC3F06								
ASL58C3F01								
ASL58C3F04								
ASL58C3F08								
ASL80C3F01								
ASL80C3F04								
ASL80C3F08								
ASR80C3F01								
ASR80C3F04								
ASR80C3F08								
ASL51C3F08	\$4470	\$4900	\$4590	\$5020	\$4590	\$5020	\$5565	
ASL51C3F16								
ASL52C3F08								
ASL52C3F16								
ASL1BC3F08								
ASL1BC3F16								
ASL1GC3F08								
ASL1GC3F16								
ASR16C3F08								
ASR16C3F16								
ASR0C3F20								
ASL75C3F30								
ASL30C3F30								
ASL3BC3F32								
ASL3GC3F32	\$4920	\$5350	\$5040	\$5470	\$5040	\$5470	\$6015	
ASR32C3F32								
ASL4BC3F40								
ASL4GC3F40								
ASR40C3F40								

Conversion kits come standard with a rating plug that matches the current sensor. For rating plugs with different values, price and order separately. See page 6-39.

*Allis-Chalmers is a trademark of Allis-Chalmers Manufacturing Company Corporation.



Publications and Reference: See Section 22 for a complete list of additional product-related publications

Low Voltage Power and DC Circuit Breakers

MicroVersaTrip® Plus and MicroVersaTrip® PM Trip Unit

Conversion Kits Selection Guide

Section 6

For *Allis-Chalmers Power Circuit Breakers

MicroVersaTrip® Trip Unit Conversion Kits for 3-Phase, 3-Wire

MicroVersaTrip® Trip Unit Conversion Kits for 3-Phase, 4-Wire

Product Number	MicroVersaTrip® PM Metering, Communication, and Protective Relay List Price, GO-104B							Product Number	MicroVersaTrip® Plus List Price, GO-104B				MVT PM Metering & Communication List Price, GO-104B				MVT PM Metering, Comm. & Prot. Relay List Price, GO-104B			
	02PM	03PM	04PM	05PM	06PM	07PM	08PM		03	05	07	08	03M	05M	07M	08M	03PM	05PM	07PM	08PM
ASL25C3F01								ASL25C4F01												
ASL25C3F02								ASL25C4F02												
ASL25C3F06								ASL25C4F06												
ASL2AC3F01								ASL2AC4F01												
ASL2AC3F02								ASL2AC4F02												
ASL2AC3F06	\$5020	\$5450	\$5140	\$5570	\$5140	\$5570	\$6115	ASL2AC4F06	\$3475	\$3595	\$3595	\$4140	\$4975	\$5095	\$5095	\$5640	\$5675	\$5795	\$5795	\$6340
ASL6BC3F01								ASL6BC4F01												
ASL6BC3F02								ASL6BC4F02												
ASL6BC3F06								ASL6BC4F06												
ASL6GC3F01								ASL6GC4F01												
ASL6GC3F02								ASL6GC4F02												
ASL6GC3F06								ASL6GC4F06												
ASL58C3F01								ASL58C4F01												
ASL58C3F04								ASL58C4F04												
ASL58C3F08								ASL58C4F08												
ASL80C3F01								ASL80C4F01												
ASL80C3F04								ASL80C4F04												
ASL80C3F08								ASL80C4F08												
ASR80C3F01								ASR80C4F01												
ASR80C3F04								ASR80C4F04												
ASR80C3F08								ASR80C4F08												
ASL51C3F08	\$5170	\$5600	\$5290	\$5720	\$5290	\$5720	\$6265	ASL51C4F08	\$3625	\$3745	\$3745	\$4290	\$5125	\$5245	\$5245	\$5790	\$5825	\$5945	\$5945	\$6490
ASL51C3F16								ASL51C4F16												
ASL52C3F08								ASL52C4F08												
ASL52C3F16								ASL52C4F16												
ASL1BC3F08								ASL1BC4F08												
ASL1BC3F16								ASL1BC4F16												
ASL1GC3F08								ASL1GC4F08												
ASL1GC3F16								ASL1GC4F16												
ASR16C3F08								ASR16C4F08												
ASR16C3F16								ASR16C4F16												
ASR0C3F20								ASR0C4F20												
ASL75C3F30								ASL75C4F30												
ASL30C3F30								ASL30C4F30												
ASL3BC3F32								ASL3BC4F32												
ASL3GC3F32	\$5620	\$6050	\$5740	\$6170	\$5740	\$6170	\$6715	ASL3GC4F32	\$4075	\$4195	\$4195	\$4740	\$5575	\$5695	\$5695	\$6240	\$6275	\$6395	\$6395	\$6940
ASR32C3F32								ASR32C4F32												
ASL4BC3F40								ASL4BC4F40												
ASL4GC3F40								ASL4GC4F40												
ASR40C3F40								ASR40C4F40												

Conversion kits come standard with a rating plug that matches the current sensor. For rating plugs with different values, price and order separately. See page 6-39.

*Allis-Chalmers is a trademark of Allis-Chalmers Manufacturing Company Corporation.



Low Voltage Power and DC Circuit Breakers

MicroVersaTrip® Plus and MicroVersaTrip® PM Trip Unit Rating Plugs

MicroVersaTrip® Plus and MicroVersaTrip® PM Rating Plugs

Frame Size (Amps)	Sensor Rating (Amps)	Current Rating (Amps)	Current Range (Amps) ¹	Product Number	List Price GO-245A
225 or 800	150	60	30-66	TR1B60	\$89.00
225 or 800	150	80	40-88	TR1B80	\$89.00
225 or 800	150	100	50-110	TR1B100	\$89.00
225 or 800	150	125	63-138	TR1B125	\$89.00
225 or 800	150	150	75-165	TR1B150	\$89.00
225 or 600	225	100	50-110	TR225B100	\$89.00
225 or 600	225	150	75-165	TR225B150	\$89.00
225 or 600	225	225	113-248	TR225B225	\$89.00
600	600	300	150-330	TR6B300	\$89.00
600	600	400	200-400	TR6B400	\$89.00
600	600	450	225-495	TR6B450	\$89.00
600	600	500	250-550	TR6B500	\$89.00
600	600	600	300-660	TR6B600	\$89.00
800	400	150	75-165	TR4B150	\$89.00
800	400	200	100-220	TR4B200	\$89.00
800	400	225	113-248	TR4B225	\$89.00
800	400	250	125-275	TR4B250	\$89.00
800	400	300	150-330	TR4B300	\$89.00
800	400	400	200-440	TR4B400	\$89.00
800 or 1600	800	300	150-330	TR8B300	\$89.00
800 or 1600	800	400	200-440	TR8B400	\$89.00
800 or 1600	800	450	225-495	TR8B450	\$89.00
800 or 1600	800	500	250-550	TR8B500	\$89.00
800 or 1600	800	600	300-660	TR8B600	\$89.00
800 or 1600	800	700	350-770	TR8B700	\$89.00
800 or 1600	800	800	400-880	TR8B800	\$89.00
1600	1600	600	300-660	TR16B600	\$89.00
1600	1600	800	400-880	TR16B800	\$89.00
1600	1600	1000	500-1100	TR16B1000	\$89.00
1600	1600	1100	550-1210	TR16B1100	\$89.00
1600	1600	1200	600-1320	TR16B1200	\$89.00
1600	1600	1600	800-1760	TR16B1600	\$89.00
2000	2000	800	400-800	TR20B800	\$89.00
2000	2000	1000	500-1100	TR20B1000	\$89.00
2000	2000	1200	600-1320	TR20B1200	\$89.00
2000	2000	1500	750-1650	TR20B1500	\$89.00
2000	2000	1600	800-1760	TR20B1600	\$89.00
2000	2000	2000	1000-2200	TR20B2000	\$89.00
3000	3000	1200	600-1320	TR30B1200	\$89.00
3000	3000	1600	800-1760	TR30B1600	\$89.00
3000	3000	2000	1000-2200	TR30B2000	\$89.00
3000	3000	2500	1250-2750	TR30B2500	\$89.00
3000	3000	3000	1500-3300	TR30B3000	\$89.00
3200	3200	1200	600-1320	TR32B1200	\$89.00
3200	3200	1600	800-1760	TR32B1600	\$89.00
3200	3200	2400	1200-2640	TR32B2400	\$89.00
3200	3200	3200	1600-3520	TR32B3200	\$89.00
4000	4000	1600	800-1760	TR40B1600	\$89.00
4000	4000	2000	1000-2200	TR40B2000	\$89.00
4000	4000	2500	1250-2750	TR40B2500	\$89.00
4000	4000	3000	1500-3300	TR40B3000	\$89.00
4000	4000	3600	1800-3960	TR40B3600	\$89.00
4000	4000	4000	2000-4400	TR40B4000	\$89.00

¹Utilizing longtime pick-up adjustment of 0.5-1.1 times the rating plug value. Trip rating not to exceed the breaker frame rating.
Note: Rating plugs ordered and priced separately.



Publications and Reference: See Section 22 for a complete list of additional product-related publications

Low Voltage Power and DC Circuit Breakers Trip Unit Conversion Kits for GE, *I-T-E, *Westinghouse, *Allis-Chalmers Circuit Breakers Accessories

Optional Remote Display—Features

- Provides safe, convenient closed-door access to breaker metering, status and setup functions
- Available for use with either MicroVersaTrip® Plus or MicroVersaTrip® PM trip units
- Rugged plastic NEMA Type 1 enclosure with LCD and keypad
- Mounts easily on outside of breaker compartment door
- Sealable, clear LEXAN protective cover over display and "Enter" key prohibits unauthorized trip setting changes
- Connects to breaker trip unit via 20-pin plug-in cable for fast installation
- Breaker trip unit operates independently if cable is disconnected



Optional Remote Display

Accessory Type	Product Number	List Price GO-104B
Remote Display w/ 6' Cable	REMDIS1	\$350.00
Replacement Cable	REMDIS2	\$35.00

Optional Remote Display

Target Module

All ProTrip™ conversion kits come with a target module. Order another only for renewal purposes.

Product Number	List Price GO-104P
TARGET02P	\$285.00



Target Module

GE Trip Unit Portable Test Set

Allows for self-tests and functioning trip/no trip tests. Operates on batteries (not included) or 120 VAC source.

Product Number	List Price GO-245B
TVRMS2	\$3000.00



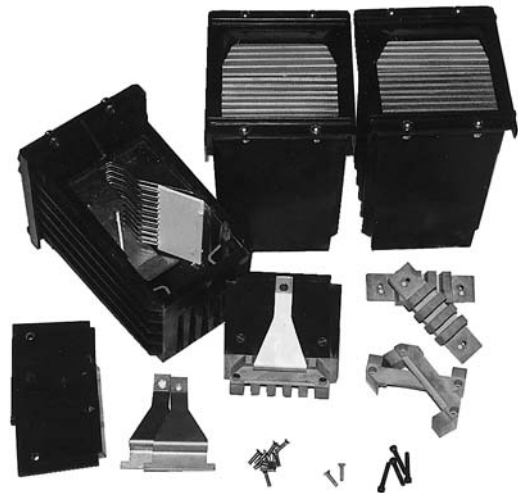
GE Trip Unit Portable Test Set

*I-T-E is a registered trademark of Siemens Energy and Automation, Inc.
*Westinghouse is a trademark of Westinghouse Electric Corporation.
*Allis-Chalmers is a trademark of Allis-Chalmers Manufacturing Company Corporation.



GE's Asbestos Free Arc Quencher Replacement Kits are designed to replace asbestos plate style arc quenchers on AK and early AKR power circuit breakers with reliable, proven steel plate style arc quenchers used on modern AKR breakers. The kits have been ANSI C37.59 tested for dielectric and short circuit ensuring breaker performance to original specifications. On most AK series breakers, no modifications are needed to install the arc quencher replacement kit. Installation is typically done in less than one hour (see Installation Instructions GEH-6464). Asbestos Free Arc Quencher replacement kits are shipped complete with detailed installation instructions and everything you need for fast and easy arc quencher replacement:

- Asbestos free metal plate or ceramic arc quenchers
- Contact guides and arc runners (when required)
- Asbestos free replacement barriers (when required)
- All required mounting hardware



Reference Publications

Asbestos Free Arc Quencher Replacement Kits	DET-096
Installation Instructions	GEH-6464

Product Number Selection

Breaker	AKO25	AQR1	Model	G1	Application
AK-15		AQR1	Arc Quencher Replacement Kit		For Asbestos Removal G1
AK-25	AKO25 ^{1,2,3}		Generation 1		Renewal Kit for G2
AKU-25					Ceramic Arc Quenchers
AKR-30S	AKR3S ^{1,2}				
AKR-30	AKR30				
AKRU-30					
AKR-30H	AKR3H				
AKRU-30H					
AK-50					
AKT-50	AKO50 ^{2,3}				
AKU-50					
AKJ-50					
AKJT-50					
AKJU-50	AKR50				
AKR-50					
AKRT-50					
AKRU-50					
AKJ-50H					
AKJT-50H					
AKJU-50H	AKR5H				
AKR-50H					
AKRT-50H					
AKRU-50H					
AKJ-50					
AKJT-50	AKD50 ⁴				
AKJU-50					
AKJ-50H					
AKJT-50H	AKD5H ⁴				
AKJU-50H					
AK-75	AKO75 ^{2,3}				
AKR-75	AKR75 ²				
AK-100	AKO10 ^{2,3}				
AKR-100	AKR10 ²				

Arc Quenchers Replacement Kit		
Product Number	List Price, GO-1048	
	G1	G2
AKO25AQR1	\$800.00	—
AKR35AQR1	\$800.00	—
AKR30AQR1	\$2000.00	\$2000.00
AKR3HAQR1	\$2300.00	\$2300.00
AKO50AQR1	\$2350.00	—
AKR50AQR1	\$2000.00	\$2000.00
AKR5HAQR1	\$2300.00	\$2300.00
AKD50AQR1	\$2000.00	\$2000.00
AKD5HAQR1	\$2300.00	\$2300.00
AKO75AQR1	\$2900.00	—
AKR75AQR1	\$2700.00	—
AKO10AQR1	\$3600.00	—
AKR10AQR1	\$3250.00	—

Arc Quenchers Replacement Kit

Product Number	List Price, GO-1048	
	G1	G2
AKO25AQR1	\$800.00	—
AKR35AQR1	\$800.00	—
AKR30AQR1	\$2000.00	\$2000.00
AKR3HAQR1	\$2300.00	\$2300.00
AKO50AQR1	\$2350.00	—
AKR50AQR1	\$2000.00	\$2000.00
AKR5HAQR1	\$2300.00	\$2300.00
AKD50AQR1	\$2000.00	\$2000.00
AKD5HAQR1	\$2300.00	\$2300.00
AKO75AQR1	\$2900.00	—
AKR75AQR1	\$2700.00	—
AKO10AQR1	\$3600.00	—
AKR10AQR1	\$3250.00	—

Price Selection

Select the desired product number from the above chart. Match the product prefix with the product number in the first column of the pricing table. Select the application column that matches the product suffix chosen. The price is found in the intersecting box.

¹Kits contain replacement barriers only, arc quenchers do not contain asbestos.

²G2 kits are not available for these breakers, please contact the factory for individual replacement arc quenchers.

³Does not apply to AK-1 series breakers.

⁴These kits are for use on breakers used in AKD and AKD-5 switchgear and substructures.



Publications and Reference: See Section 22 for a complete list of additional product-related publications

The electrically operated racking device allows maintenance personnel the ability to be up to 30 feet away from a draw-out breaker during the racking operation. This was typically only an option with medium voltage switchgear. Now, GE offers this as an option with low voltage switchgear.

The electric motor is operated using convenient 115V AC power with a plug-in power cord. The gearbox is easily attached to the front of the breaker with a sliding latch connection.

The low voltage racking devices can be used with any WavePro or EntelliGuard® breaker. Large frame WavePro breakers (3200 Amp and above)¹ require an accessory kit and a retrofit door to accommodate the device.

Allowing the user to be physically removed from the breaker racking mechanics during operation provides a peace of mind not usually available in a low voltage application.

¹Manufactured before 9/1/05.



Easy and Safe Operation



PRESS!

A push of the button on a handheld remote operator draws the breaker out with a 115V AC motor in the gear box.



PRESS!

Another push of the button racks the breaker back into place.



Low Voltage Power and DC Circuit Breakers

Section 6

Electrically Operated Racking Device

Technical Specifications

Remote operation through a cable-connected handheld control

- Permits control of gearbox and racking motor from remote location, allowing the user to be remote from the breaker during the racking procedure.
- Cable allows user to be up to 30 feet away from the breaker and away from the arc flash center.
- Allows user to determine their location based on room layout.
- Simple start switch push button in handheld box.

Portable gearbox with full operator control

- Allows the user to easily move a draw-out circuit breaker between CONNECT and DISCONNECT positions.
- Can be used with WavePro or EntelliGuard® breakers in Entellisys®, AKD-10 or Power Break® switchboard line-ups (with WavePro breakers).
- Motor directional switch for IN/OUT racking control.
- Circuit breaker reset toggle switch for control power.

Racking Device

- Electrically powered with 115V AC power (4 foot cord).
- Sliding latch allowing device to be easily attached to front of breakers (WavePro or EntelliGuard®).

Retrofits (Product shipped before June 2005)

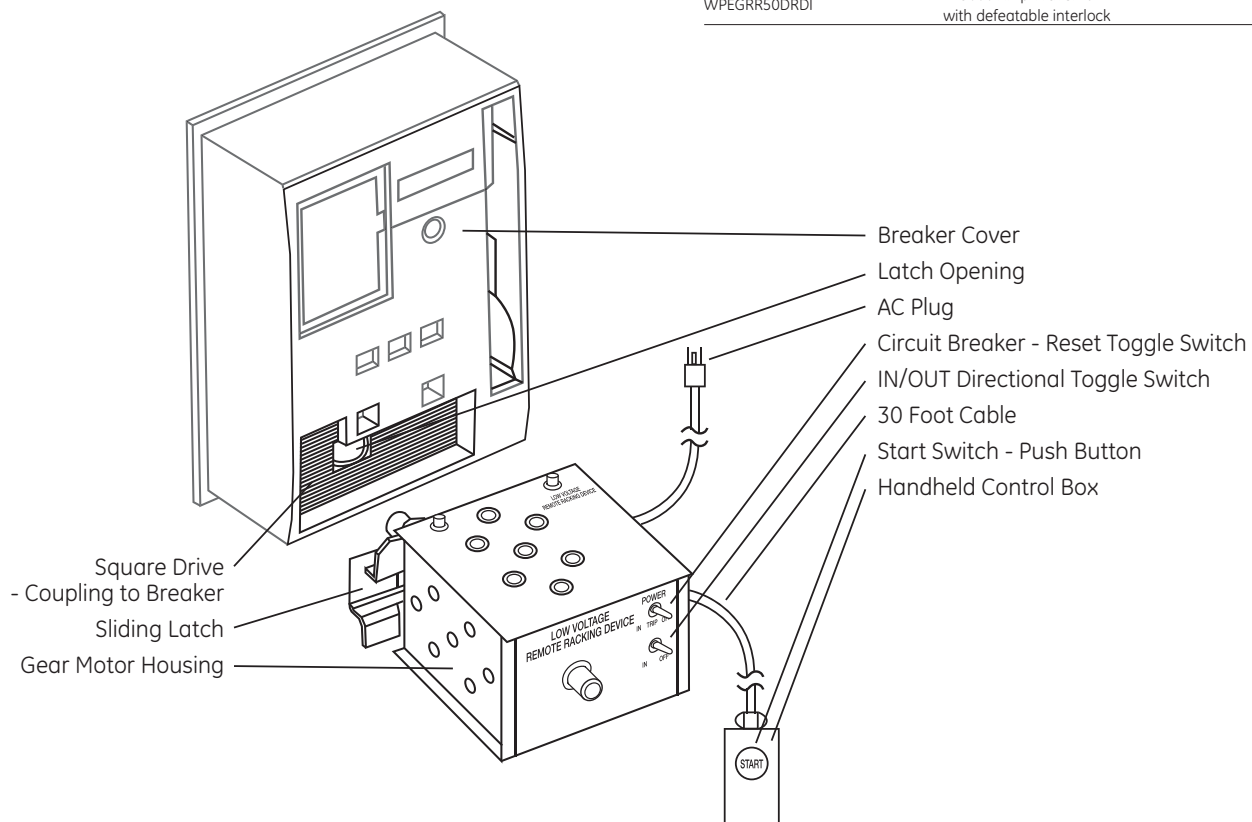
- Small Frame (800 - 2000 Amp) WavePro breakers accept the Racking Device without modification.
- Existing Large Frame (3200 - 5000 Amp) WavePro breakers compatible by simply replacing the cubicle door.
- All EntelliGuard® breakers accept the Racking Device without modifications.

Racking Devices

Product Number	Description
WPEGRRLV	Remote Racking Device
WPEGRRMODL	Large Frame Breaker Modification Kit (3200-5000 Amp)

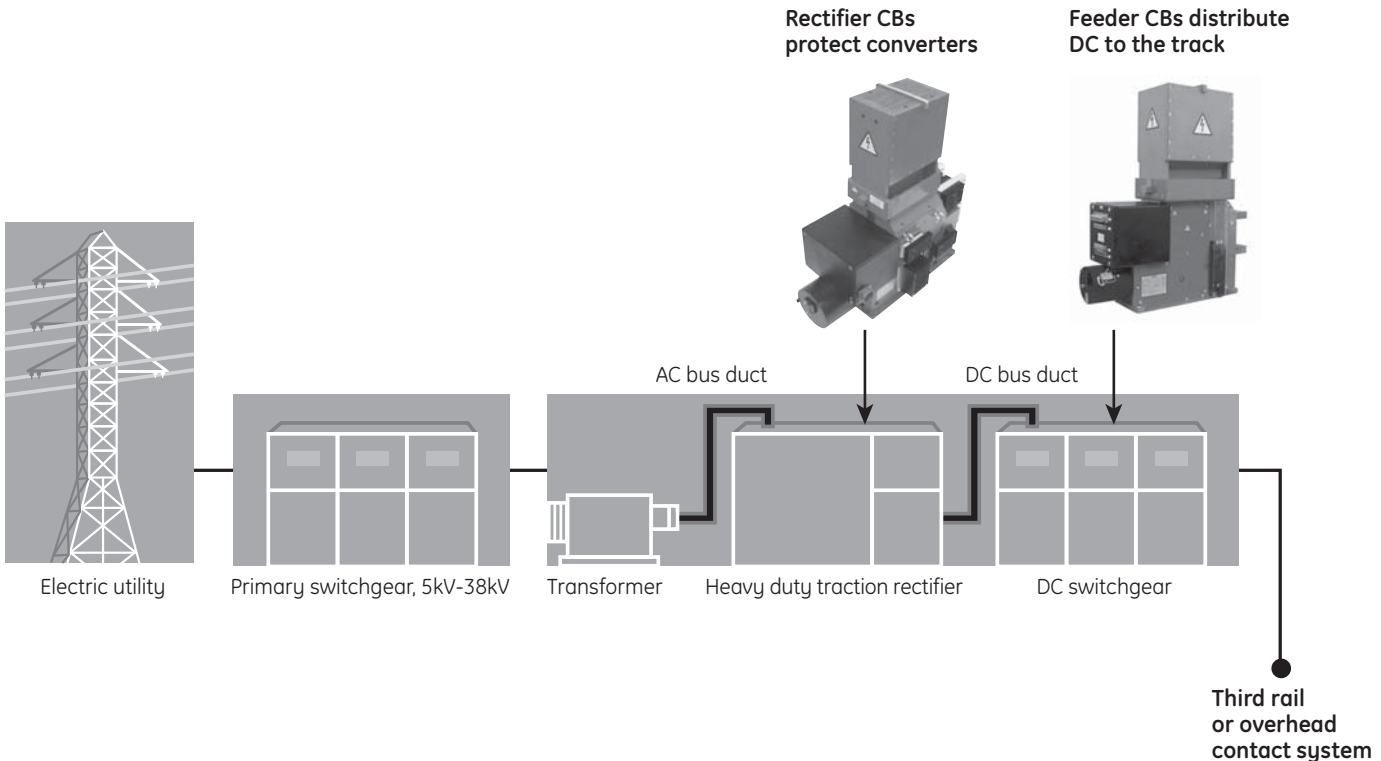
Retrofit Doors for Large Frame WavePro

Product Number	Description
WPEGRRLFDR	3200/4000 Amp WavePro
WPEGRRLFDRDI	3200/4000 Amp WavePro with defeatable interlock
WPEGRR50DR	5000 Amp WavePro
WPEGRR50DRDI	5000 Amp WavePro with defeatable interlock



Publications and Reference: See Section 22 for a complete list of additional product-related publications

Typical Traction Electric Power System



Circuit Breaker Features and Accessories

- Insulated side plates with insulated toggle for setting over current trip (OCT) for feeder breakers
- Mechanical forced tripping
- Electrodynamic trip device (with or without capacitor and charging unit)
- Shunt trip
- No-voltage release
- Auxiliary contacts
- Different auxiliary contacts for signaling (optional)
- Flexible main terminal configurations
- Plug connectors for auxiliary circuits (optional)
- Hand lever for manual actuation from front (for maintenance purposes only)
- Position indication (optional)
- Manual operation for maintenance
- Internal power supply with a wide range of supply voltage options
- Integrated current measurement unit (SEL) (optional)
- Rectifier breaker mechanical counter

Key Benefits

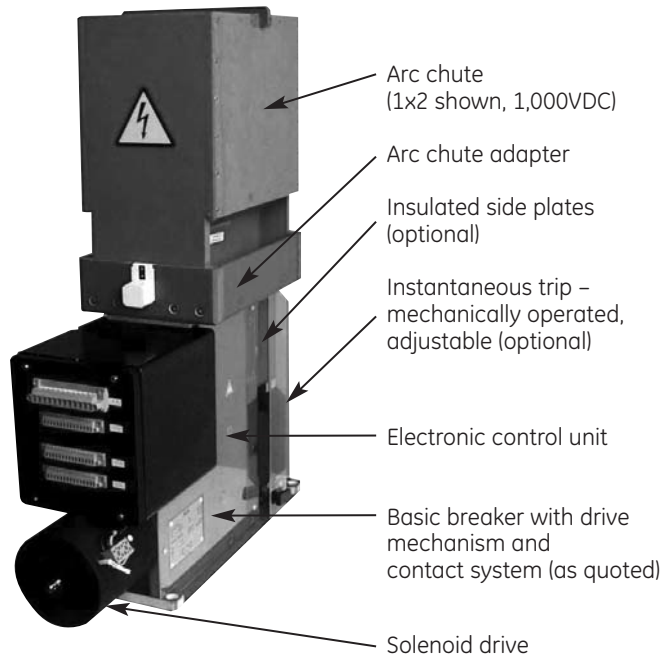
- Standard dimensions from 2,600A to 6,000A (feeder models GER2607 – GER6007)
- Operating voltages from 1,000 to 3,900VDC
- Mining and traction compliant (ANSI C37.14, IEC 947-2, EN 50123-2)
- High speed OPEN/TRIP (opening delay <3ms)
- Direct acting instantaneous and adjustable trip unit works without imported energy and is available as bidirectional symmetrical (for line feeder) or unidirectional (for rectifier breaker)
- High speed CLOSE (approximately 150 ms)
- Solenoid drive (integral control unit, mechanically latched, no auxiliary power required to keep contacts closed)
- 2-stage contact system
- Compact, enclosed construction
- Modular, serviceable design
- Flexible power terminations
- Easily accessible control and auxiliary connections
- Fixed and draw-out versions
- Extensive accessories

General Information

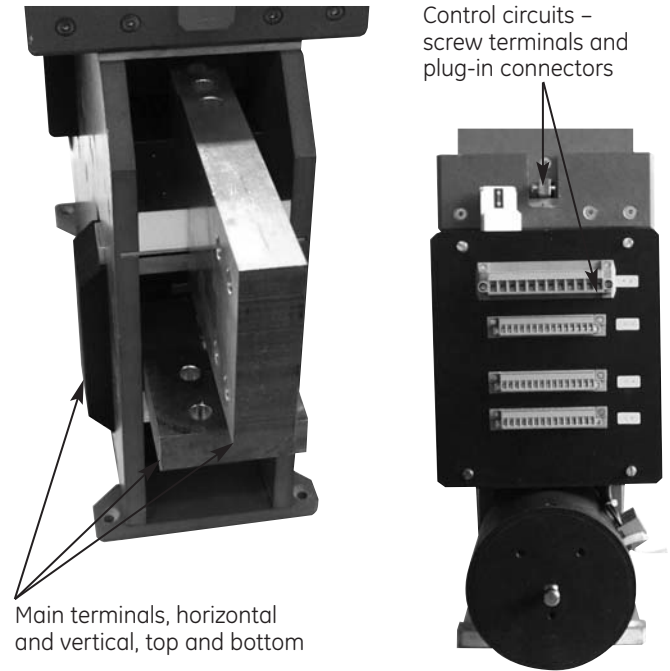
Rated Temperature	-5° to 40°C ambient (55°C with reduced ratings)
Relative Humidity	90% @ T<20°C; RH=130-2*T @ T>20 °C
Altitude	-120m to 2000m above sea level



Gerapid Breaker Modules



Power and Control Connections



Type SEL Current Measurement System (optional)

- Current measurement at the breaker
- Factory-equipped or field-installable
- No additional space required or breaker modifications
- Ranges 6kA and 12kA
- To 4,000VDC
- Signal output via 3 interfaces
 - 4...20mA
 - +/- 20mA
 - +/- 10V
- Watchdog function standard



Publications and Reference: See Section 22 for a complete list of additional product-related publications

Technical Data for Feeder Circuit Breaker Models 2607 and 4207

Breaker type	Gerapid 2607					Gerapid 4207				
	1x2	1x4	2x2	2x3	2x4	1x2	1x4	2x2	2x3	2x4
Arc chute type	1x2	1x4	2x2	2x3	2x4	1x2	1x4	2x2	2x3	2x4
Rated current	In/A	2,600	2,600	2,600	2,600	2,600	4,200	4,200	4,200	4,200
Rated operating voltage	Ue/V	1,000	2,000	2,000	3,000	3,600	1,000	2,000	2,000	3,000
Rated insulation voltage	Ui/V	2,000	2,000	2,000	3,000	4,000	2,000	2,000	2,000	3,000
Short time current	120 min./A	3,150	3,150	3,150	3,150	3,150	5,000	5,000	5,000	5,000
	2 min./A	5,200	5,200	5,200	5,200	5,200	8,500	8,500	8,500	8,500
	20 sec./A	7,800	7,800	7,800	7,800	7,800	12,600	12,600	12,600	12,600
Mechanical endurance	ops.	20,000 ¹	20,000 ¹	20,000 ¹	20,000 ¹	20,000 ¹	20,000 ¹	20,000 ¹	20,000 ¹	20,000 ¹
Total weight approx.	kg	120	120	160	160	160	120	120	160	160

¹With regular maintenance 100,000 ops.

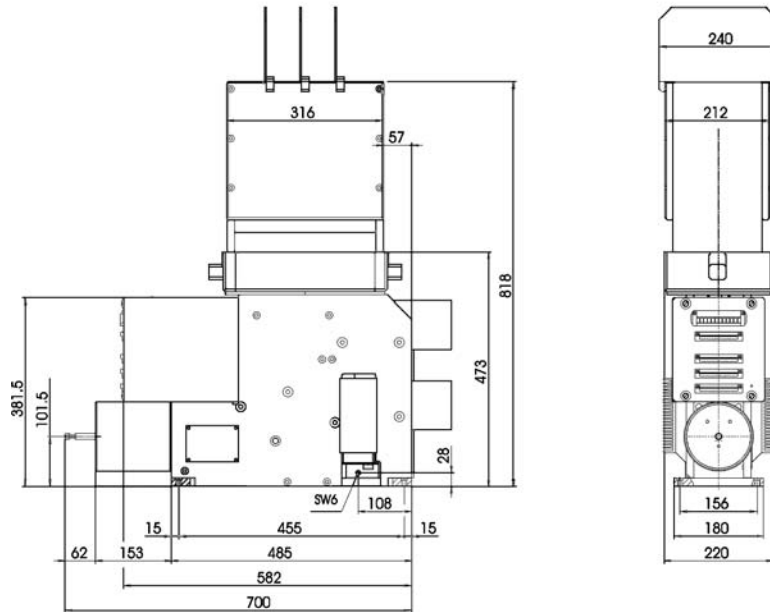


Figure 1. Models 2607 - 6007 Feeder CBs, 1X4 Arc Chute, 2,000VDC (Dimensions in mm)

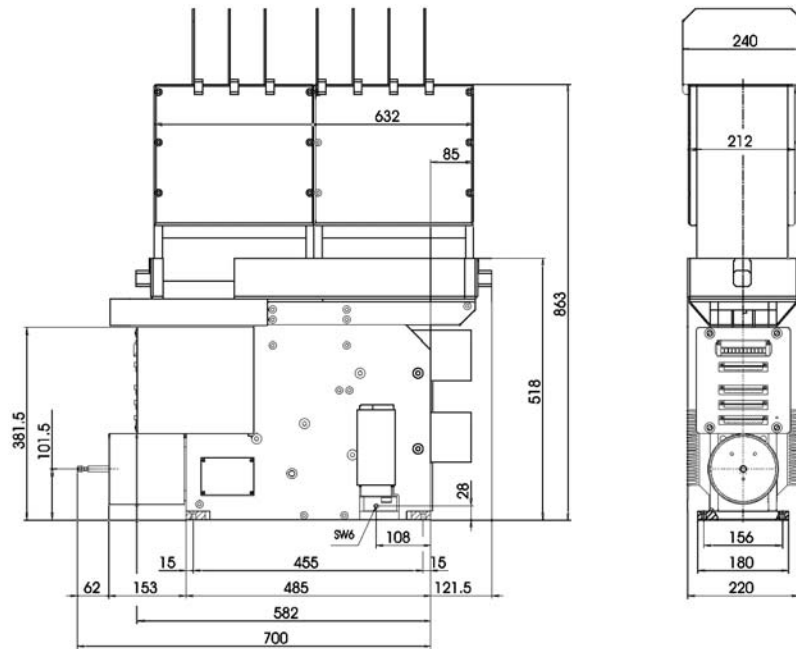


Figure 1A. Models 2607 - 6007 Feeder CBs, 2X4 Arc Chute, 3,600VDC (Dimensions in mm)



Technical Data for Feeder Circuit Breaker Models 6007 and 8007

Breaker type	Gerapid 6007						Gerapid 8007		
	1x2	1x4	2x2	2x3	2x4	1x2	2x2	2x3	
Arc chute type									
Rated current	In/A	6,000	6,000	6,000	6,000	6,000	8,000	8,000	
Rated operating voltage	Ue/V	1,000	2,000	2,000	3,000	3,600	1,000	2,000	
Rated insulation voltage	Ui/V	2,000	2,000	2,000	3,000	4,000	2,000	2,000	
Short time current	120 min./A	7,200	7,200	7,200	7,200	7,200	9,600	9,600	
	2 min./A	12,000	12,000	12,000	12,000	12,000	16,000	16,000	
	20 sec./A	18,000	18,000	18,000	18,000	18,000	24,000	24,000	
Mechanical endurance	ops.	20,000 ¹	20,000 ¹	20,000 ¹	20,000 ¹	20,000 ¹	20,000 ¹	20,000 ¹	
Total weight approx.	kg	150	150	190	190	190	190	210	

¹With regular maintenance 100,000 ops.

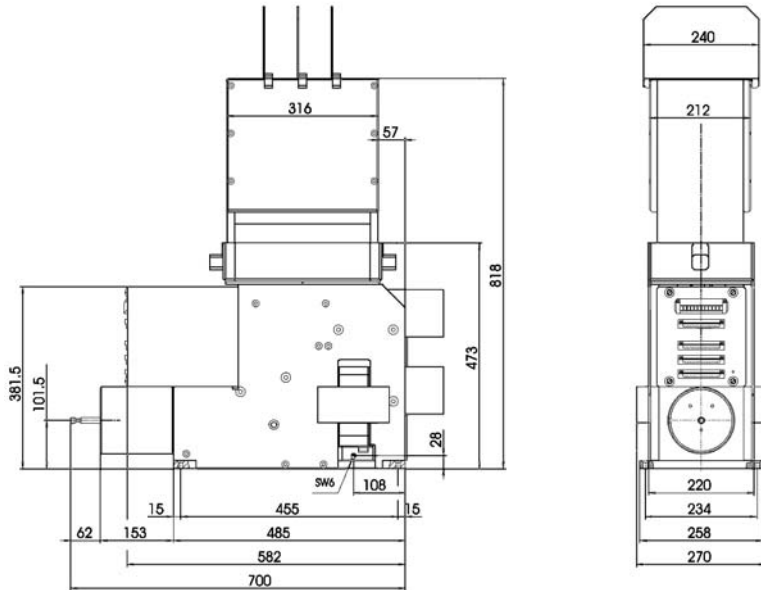


Figure 2. Gerapid 8007 Feeder CBs, 1X4 Arc Chute, 2,000VDC (Dimensions in mm)

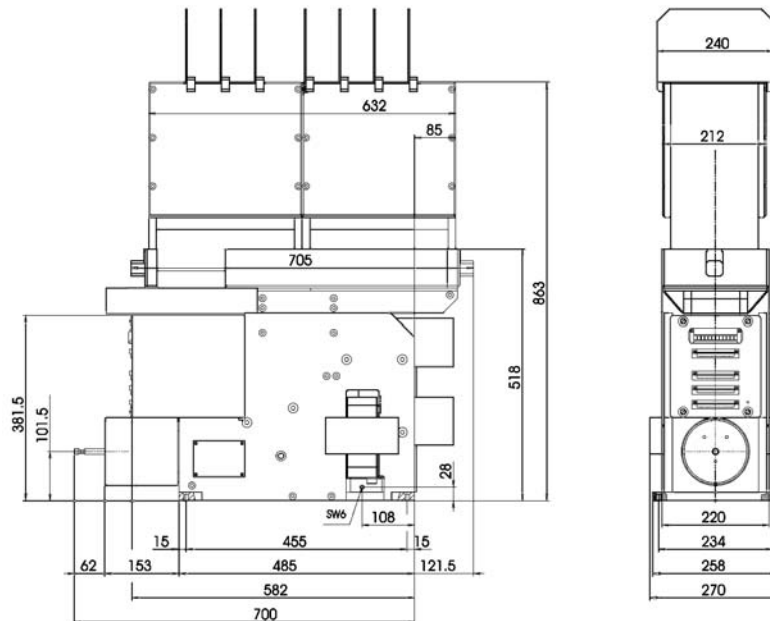


Figure 2A. Gerapid 8007 Feeder CBs, 2X4 Arc Chute, 3,600VDC (Dimensions in mm)



Publications and Reference: See Section 22 for a complete list of additional product-related publications

Technical Data for Rectifier Circuit Breaker Models 8007R and 10007R

Breaker type	Gerapid 8007R		Gerapid 1007R	
	1x2	1x3	1x2	1x3
Arc chute type	1x2	1x3	1x2	1x3
Rated current I_n/A	6,000	6,000	8,000	8,000
Rated operating voltage U_e/V	800	1,200	800	1,200
Rated insulation voltage U_i/V	2,000	2,000	2,000	2,000
Short time current	120 min./A	7,200	7,200	9,600
	2 min./A	8,000	8,000	16,000
	20 sec./A	12,000	12,000	24,000
Mechanical endurance	ops.	10,000 ¹	10,000 ¹	10,000 ¹
Total weight approx.	kg	220	220	220

¹With regular maintenance 100,000 ops.

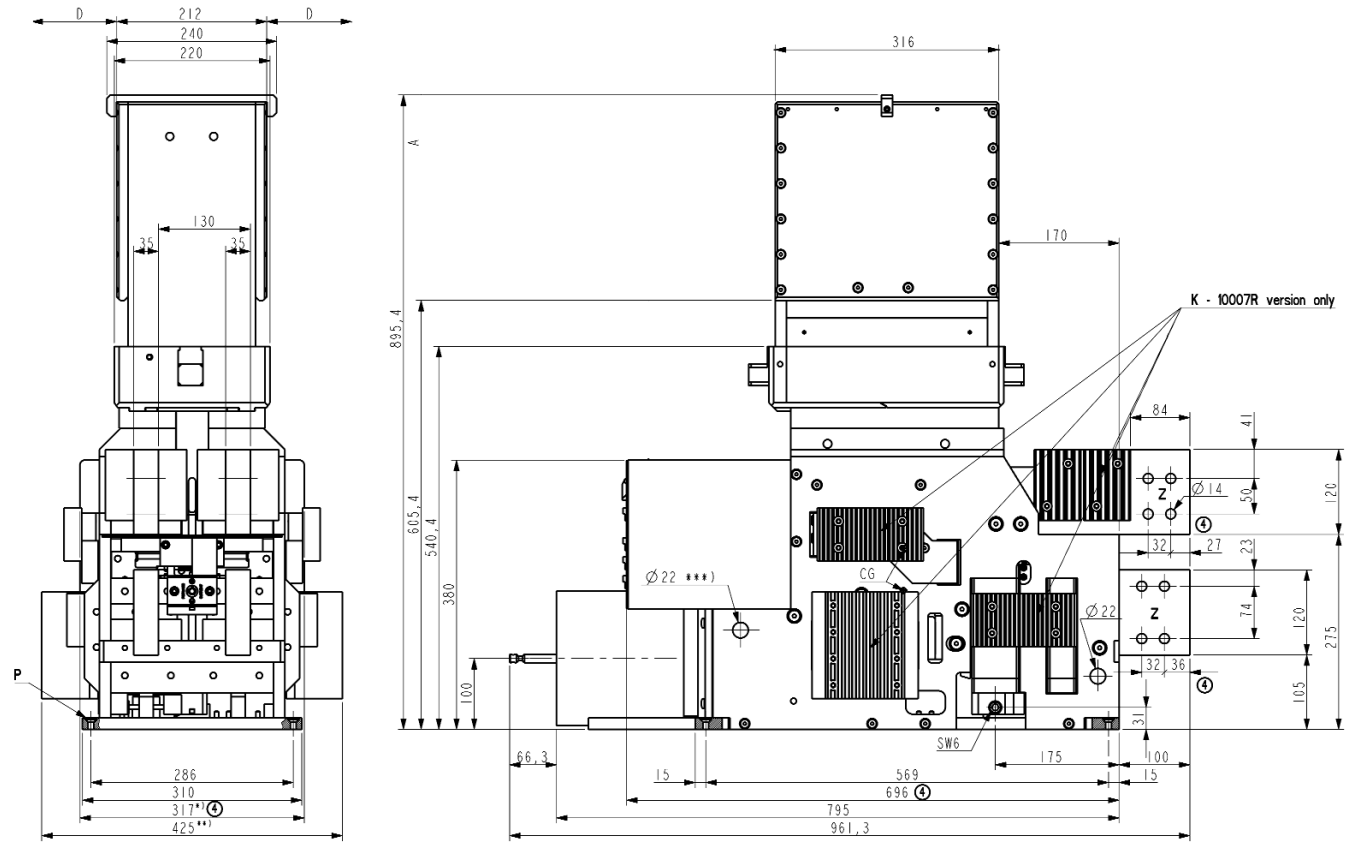


Figure 3. Gerapid 8007R and 10007R Rectifier CB, 1X2 Arc Chute, 800VDC
(Dimensions in mm)

General Installation and Maintenance

Publication Number	Publication Name
DEH-136	WavePro Small Frame Maintenance Manual, WP-08-20
DEH-137	WavePro Large Frame Maintenance Manual, WP-32-50
DEH-178	User's Guide - MicroVersaTrip® Plus/PM Trip Units
DEH-179	User's Guide - Power+ Trip Unit
GEH-5945	Power Leader® Recommended Power Supplies
GEH-5946	Power Leader® Voltage Conditioner
DEJ-001	Portable Battery Power Pack
GEK-64467	Zone Selective Interlock Module
DEH-134	WavePro Small Frame User's Manual, WP-08-20
DEH-135	WavePro Large Frame User's Manual, WP-32-50
GEK-97367A	User's Guide TVRMS2 Programmer Portable Test Set
DEF-004	WavePro Small Frame (800-2000A) Renewal Parts Guide
DEF-005	WavePro Large Frame (3200-5000A) Renewal Parts Guide
DES-001	WavePro Time-Current Curves (LSI)
DES-002	WavePro Time-Current Curves (GF)
DES-026	WavePro Time-Current Curves (Special GF)
DET-167	WavePro Breaker Application Guide
DEP-080	WavePro Selection and Pricing Guide
DEE-194	WavePro User Publications Summary—WavePro Breakers and AKD-10 Switchgear



Publications and Reference: See Section 22 for a complete list of additional product-related publications

